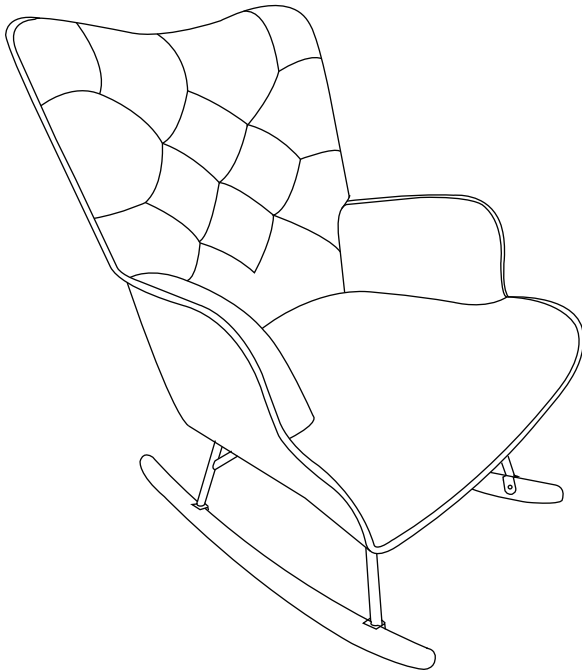
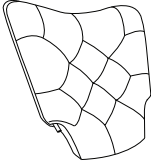
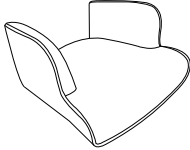
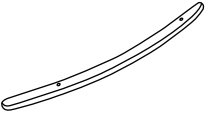
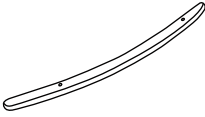
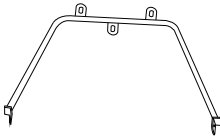
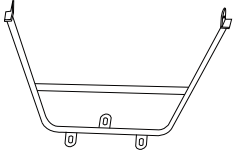



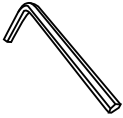


stylor rocking chair



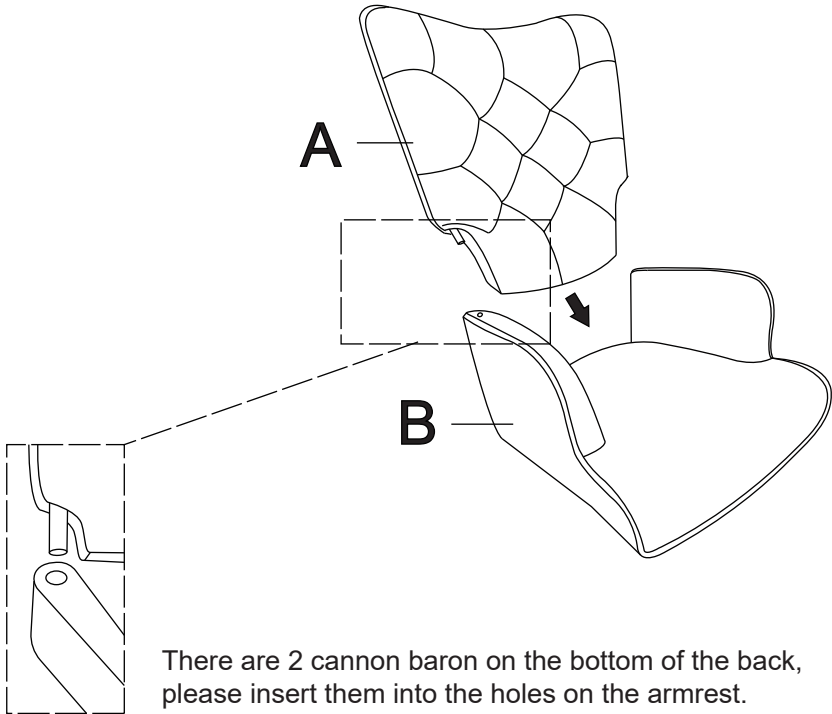
| | | |
|----------------------------------------------------------------------------------------------------------------|----------------------------------------------------------------------------------------------------------------|---------------------------------------------------------------------------------------------------------------|
| <p>A</p>  <p>x 1</p> | <p>B</p>  <p>x 1</p> | <p>C</p>  <p>x 1</p> |
| <p>D</p>  <p>x 1</p> | <p>E</p>  <p>x 1</p> | <p>F</p>  <p>x 1</p> |
| <p>G</p>  <p>x 2</p> | <p>H</p>  <p>x 10</p> | <p>I</p>  <p>x 2</p> |
| <p>J</p>  <p>x 1</p> | | |

Attention :

All steps please follow this rule.

Before draw the screws tighten, please find the holes firstly.

1



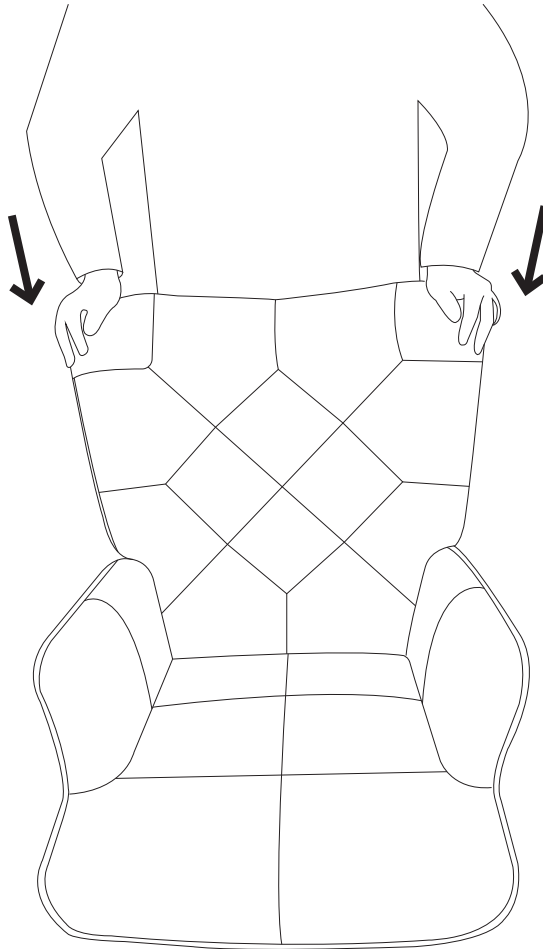
Attention :

All steps please follow this rule.

Before draw the screws tighten, please find the holes firstly.

2

Hold the backrest
and press down



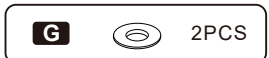
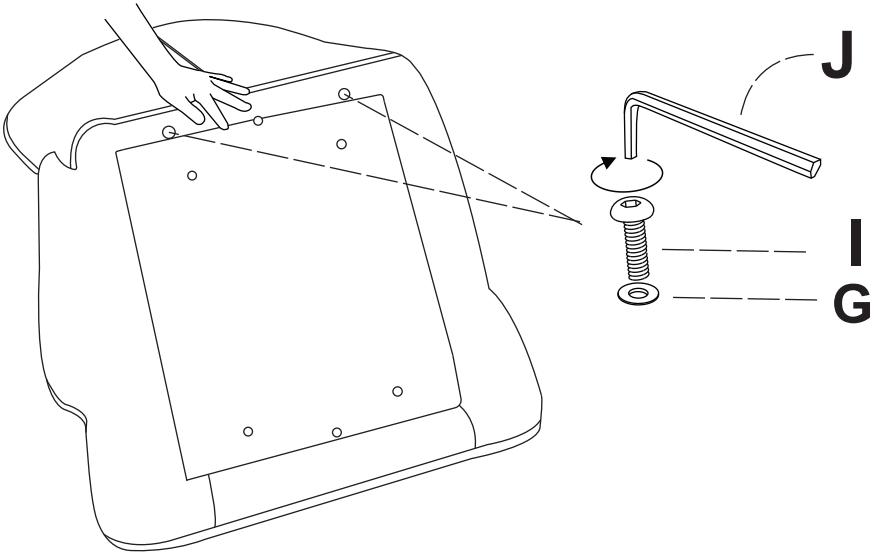
Attention :

All steps please follow this rule.

Before draw the screws tighten, please find the holes firstly.

3

Make sure the back and the bottom tight fit, then drew the screws in, then tighten.



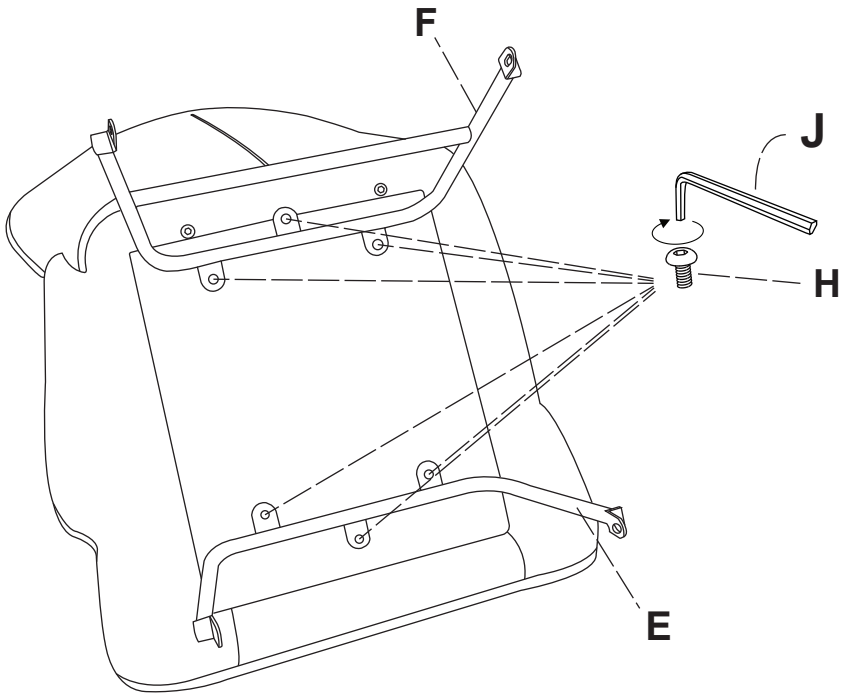
Attention :

All steps please follow this rule.

Before draw the screws tighten, please find the holes firstly.

4

Pay attention the E has a cross bar compare to F.



H



6PCS

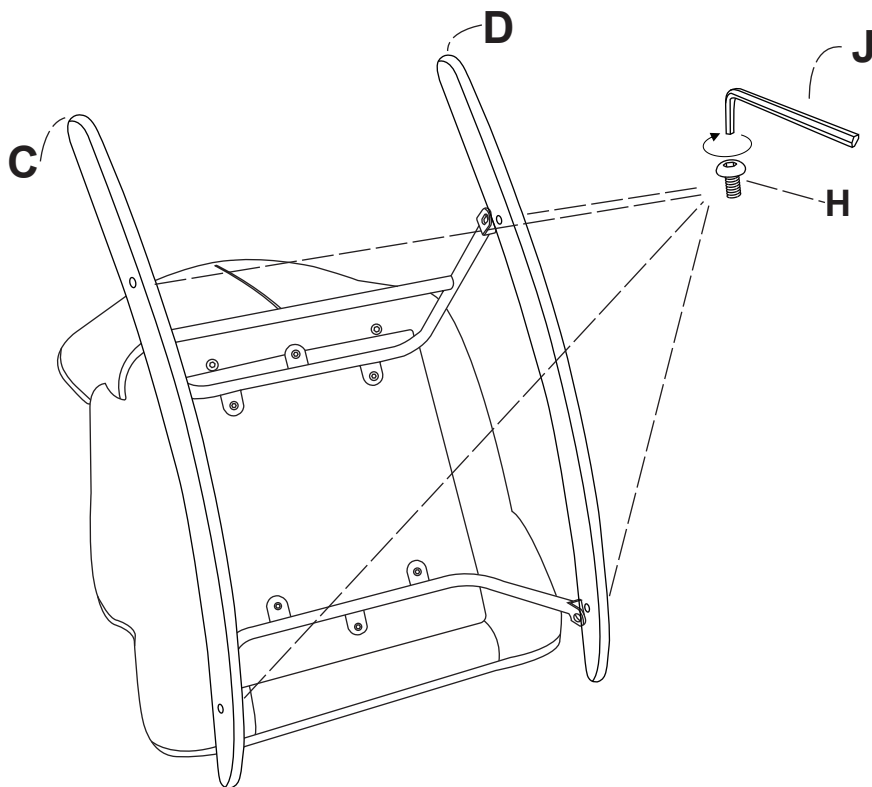
Attention :

All steps please follow this rule.

Before draw the screws tighten, please find the holes firstly.

5

Make sure the longer side of C and D is facing the back of the chair.



H



4PCS