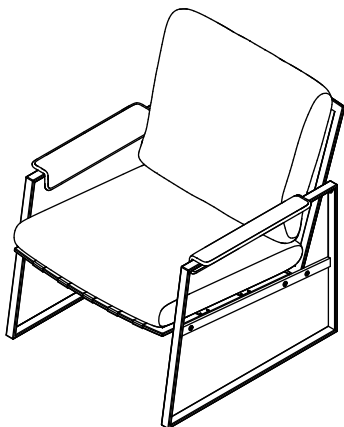
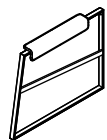


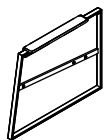
Assembly Instruction (HQ-025)



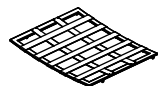
Parts List Open the hardware check all parts QTY, thanks



A x 1



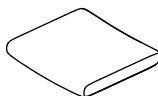
B x 1



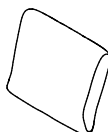
C x 1



D x 1



E x 1



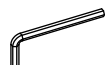
F x 1



G x 6

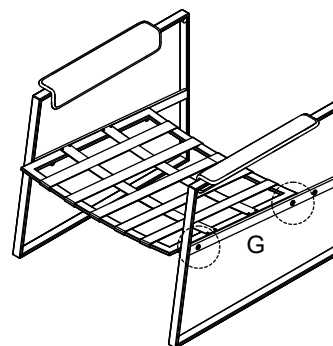


H x 2

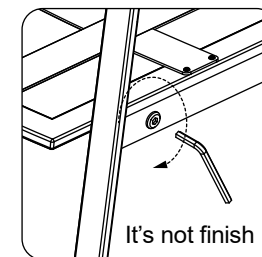


J x 1

Step 1 ! The screw must be loose to finish

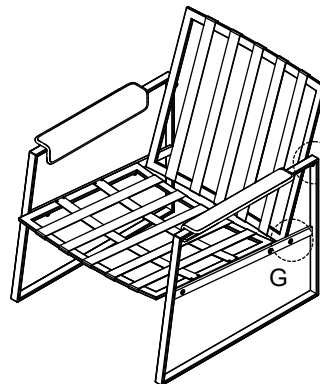


The same left and right

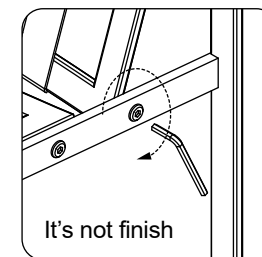


A+B+C+G+J

Step 2 ! The screw must be loose to finish

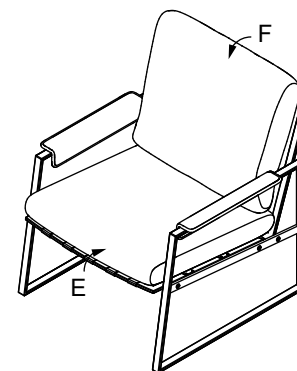


The same left and right



D+G+H+J

Step 3



Tighten all screws to finish