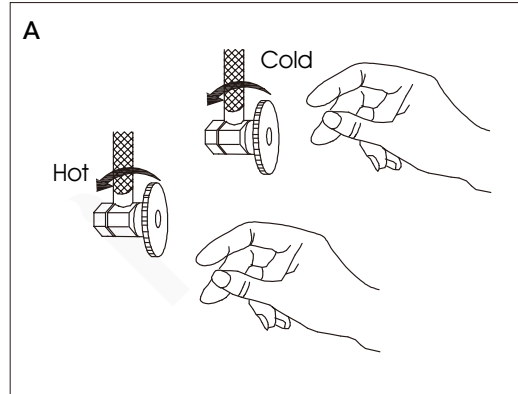
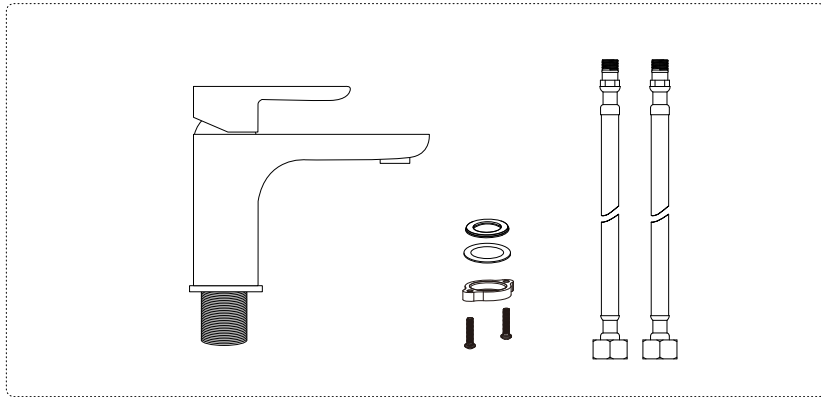


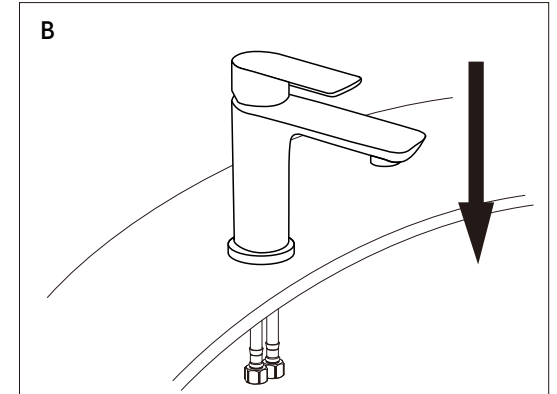
BATHROOM FAUCET

Installation instruction

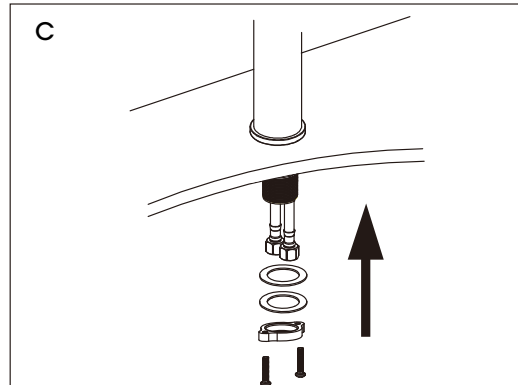
MB/BN/BG/CH/ORB



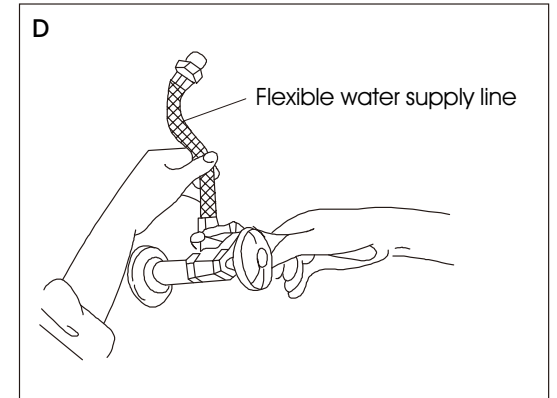
A. Shut off water supply at the valves. Remove old faucet and clean the mounting surface for installation of new faucet.



B. First place the new faucet through flange on the mounting surface. The faucet hole should be $3/8$ " in diameter on the mounting surface.



C. From under the sink, install the rubber washer, steel washer and locking nut onto the shank. Tighten the locking nut and install the 2 screws to secure the faucet in place.



D. Use an adjustable wrench to tighten the water supply hoses. (**IMPORTANT:** Do not overtighten the connections.)