

TABLE

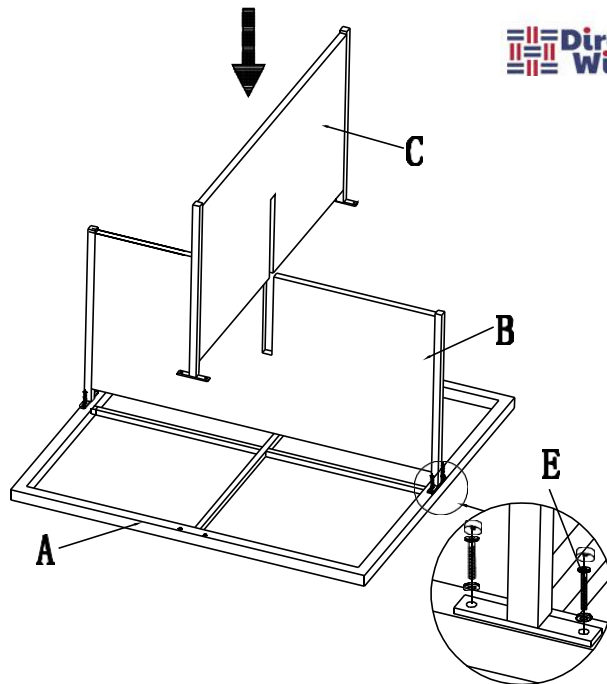
ASSEMBLY INSTRUCTIONS



BEFORE YOU START ASSEMBLING YOUR FURNITURE:

- CHECK THAT YOU HAVE ALL THE PIECES LISTED ON THE LEFT HAND SIDE.
- LAY A CLEAN SHEET ON A FLAT SURFACE BIG ENOUGH TO ASSEMBLE YOUR FURNITURE ON IN ORDER TO PROTECT YOUR FURNITURE.

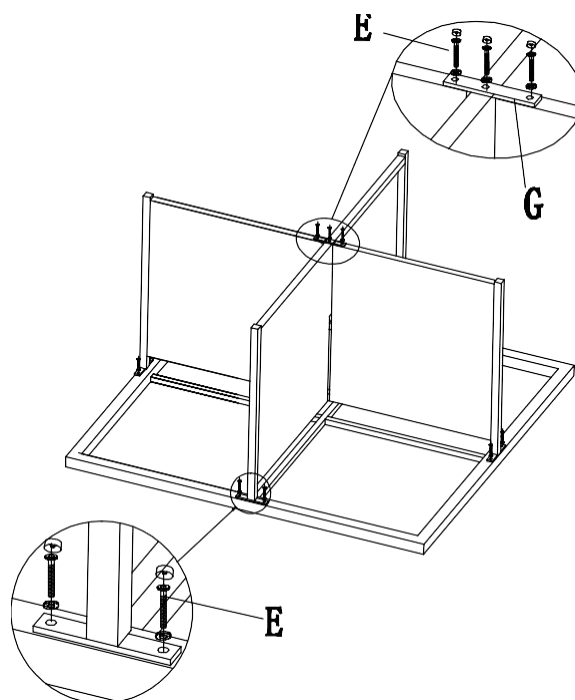
A	1	
B	1	
C	1	
D	1	
E	11	
F	1	
G	1	



1.

Lay the table top (A) down so the frame is facing upwards. With the slit facing upwards, attach chair legs (B), to the table top by aligning the screw holes with those in the table top (A). Insert screws (E) through the washer and into the holes and loosely tighten with the allen key (F).

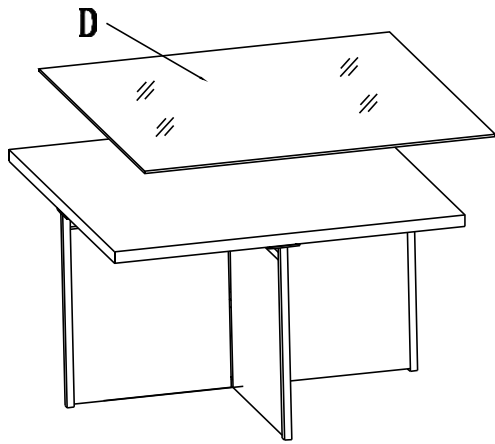
Then insert table leg (C) into position over the slit of table leg (B) and align the screw holes with the holes in the table top (A). Insert screws (E) through the washer and into the holes and loosely tighten with the allen key (F) in the locations shown in the image below.



2.

Attach both the table legs together by placing the bracket (G) over the screw holes on the bottom of table leg (B & C) as shown in the above image and inserting the three remaining screws (E) through the washers and into the bracket and table legs. Fully tighten using the allen key (F).

Fully tighten all of the screws in the table using the allen key (F) then place the screw caps over all of the screws.



3.

Turn the table upright and place the tempered glass (D) over the table top.

