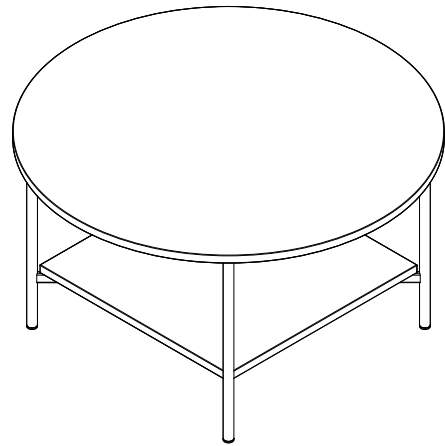
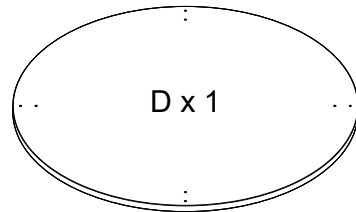
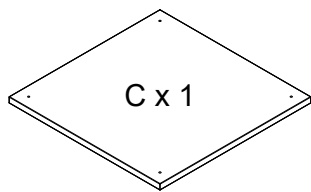
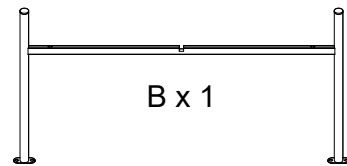
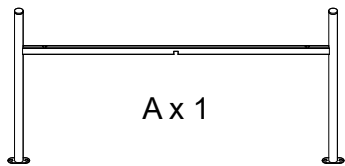


Assembly Instruction (WLF-C20)

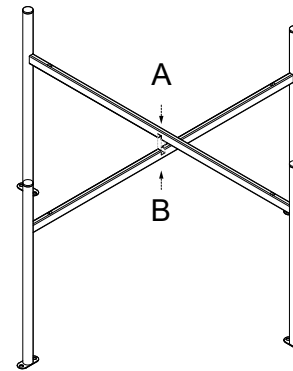


Parts List

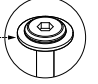
Open the hardware check all parts QTY, thanks

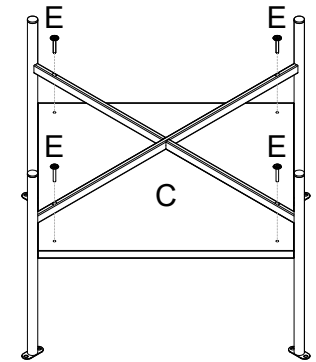



Step 1



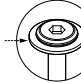
Step 2

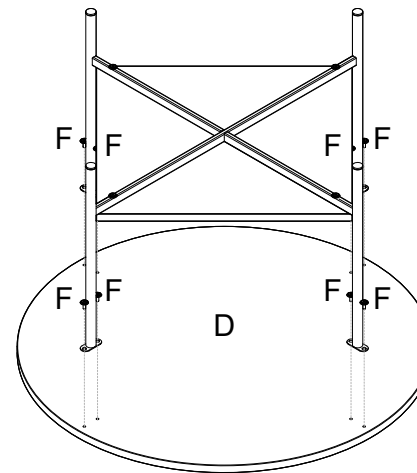
screw with washer 




 The screw must be loose to finish

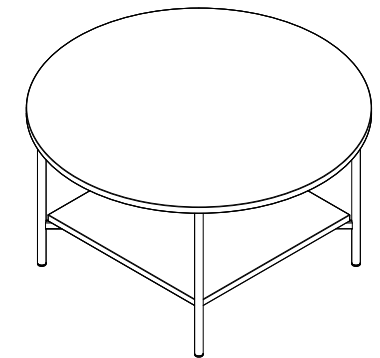
Step 3

screw with washer 



 The screw must be loose to finish

Step 4



Tighten all screws and turn it over to finish