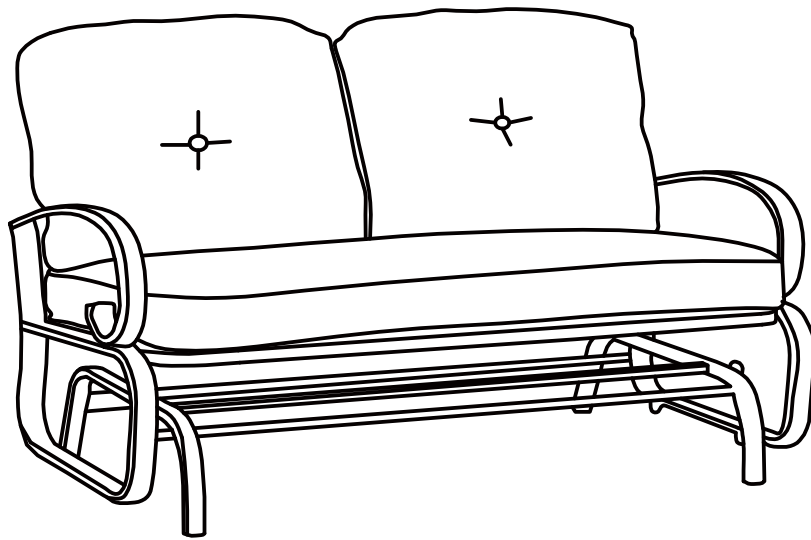



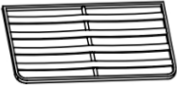












Loveseat Glider Chair








Read the instructions before use of this product.

Please keep this instruction manual for future reference.

PART LIST	FIGURE	QUANTITY	DESCRIPTION
A		1 PC	RIGHT ARM
B		1 PC	LEFT ARM
C		1 PC	BACK
D		1 PC	SEAT
E		1 PC	BASE
F		2PCS	GLIDER
G		6PCS	SHORT BOLT (M6*18)
H		2PCS	LONG BOLT (M6*40)
I		8PCS	MEDIUM BOLT (M6*30)
J		8 PCS	FLAT WASHER
K		16 PCS	FLAT WASHER
L		1 PC	ALLEN WRENCH
M		1 PC	SEAT CUSHION
N		2 PCS	BACK CUSHION

EXTRA PARTS

PART LIST	FIGURE	QUANTITY	DESCRIPTION
G		1 PCS	SHORT BOLT (M6*18)
H		1 PCS	LONG BOLT (M6*40)
I		1 PCS	MEDIUM BOLT (M6*30)
J		1 PCS	FLAT WASHER
K		1 PCS	FLAT WASHER

ATTENTION:

Keep children away during assembly. This item contains small parts that can be dangerous for children. Children should always be under direct adult supervision while using this product. Do not discard any of the packaging until you have checked that you have all of the parts and fittings required.

Carefully remove the contents from the package. If any parts are missing, do not attempt to use the product until they have been obtained.

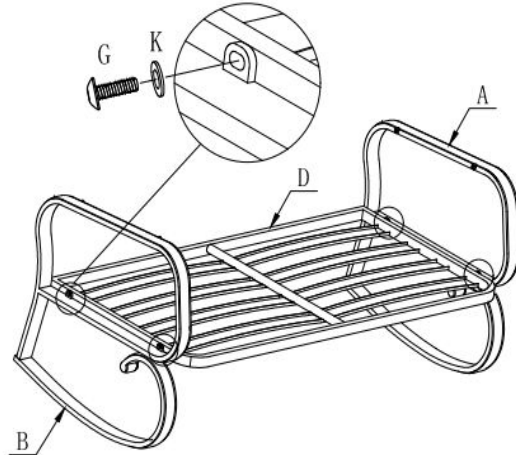
Make sure that each bolt needed for all steps matches the corresponding figure ensure proper assembly.

STEP 1

A. PLACE RIGHT ARM (A) UPSIDE DOWN ON A FLAT, PROTECTED SURFACE.

B. ATTACH SEAT (D) TO RIGHT ARM (A) WITH FLAT WASHER (K) AND SHORT BOLT (G) USING ALLEN WRENCH (L). DO NOT TIGHTEN COMPLETELY.

C. ATTACH LEFT ARM (B) TO SEAT (D) WITH FLAT WASHER (K) AND SHORT BOLT (G) USING ALLEN WRENCH (L). DO NOT TIGHTEN COMPLETELY.

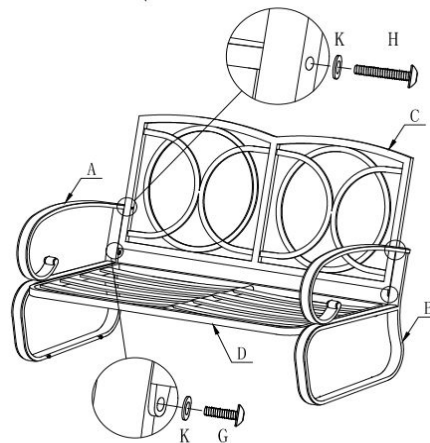


STEP 2

A. TURN SEAT ASSEMBLY TO UPRIGHT POSITION.

B. CONNECT BACK (C) TO RIGHT ARM (A) AND LEFT ARM (B) WITH FLAT WASHER (K) AND MEDIUM BOLT (H) USING ALLEN WRENCH (L). DO NOT TIGHTEN COMPLETELY.

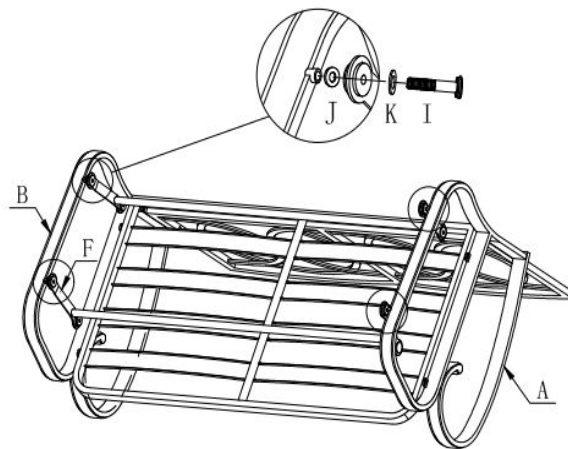
C. CONNECT BACK (C) TO SEAT (D) WITH FLAT WASHER (K) AND SHORT BOLT (G) USING ALLEN WRENCH (L). DO NOT TIGHTEN COMPLETELY.



A. GENTLY TIP CHAIR FORWARD TO FLOOR.

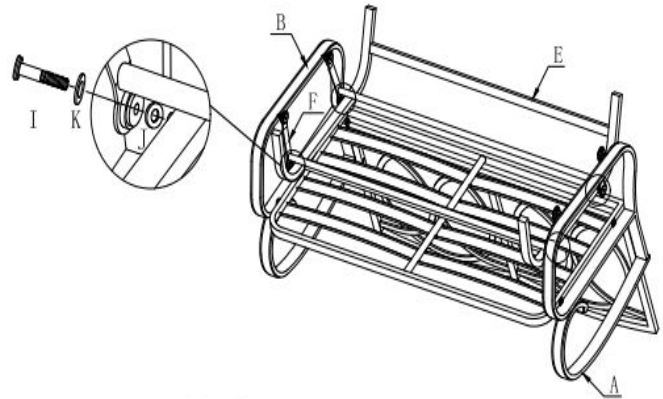
B. ATTACH LONG ARM OF GLIDER SUPPORT GLIDER (F) TO BOTTOM OF RIGHT ARM (A) WITH FLAT WASHER (J), FLAT WASHER (K) AND LONG BOLT (I) USING WRENCH (L). DO NOT TIGHTEN COMPLETELY.

C. REPEAT TO ATTACH GLIDER (F) TO LEFT ARM (B), DO NOT TIGHTEN COMPLETELY.



STEP 4

A. ATTACH BASE (E) TO SHORT ARM OF GLIDER SUPPORT ON GLIDER (F) WITH FLAT WASHER (K), FLAT WASHER (J) AND LONG BOLT (I) USING ALLEN WRENCH (L).

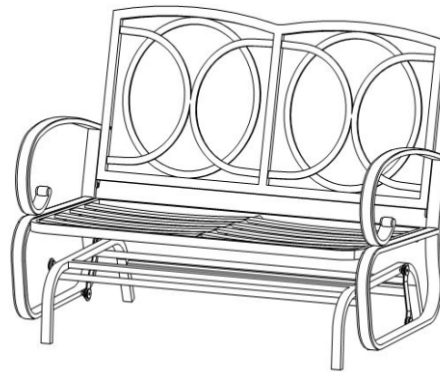


STEP 5

A. TURN GLIDER TO UPRIGHT POSITION SO THAT IT STANDS SQUARELY ON THE FLOOR.

B. TIGHTEN ALL BOLTS SECURELY USING ALLEN WRENCH (L).

C. RETAIN ALLEN WRENCH (L) FOR USE TO TIGHTEN BOLTS PERIODICALLY OR AS NEEDED.



STEP 6

A. PUT SEAT CUSHION (N) WITH BANDAGE TIES ON THE SEAT, THEN PUT ON THE BACK CUSHIONS.

