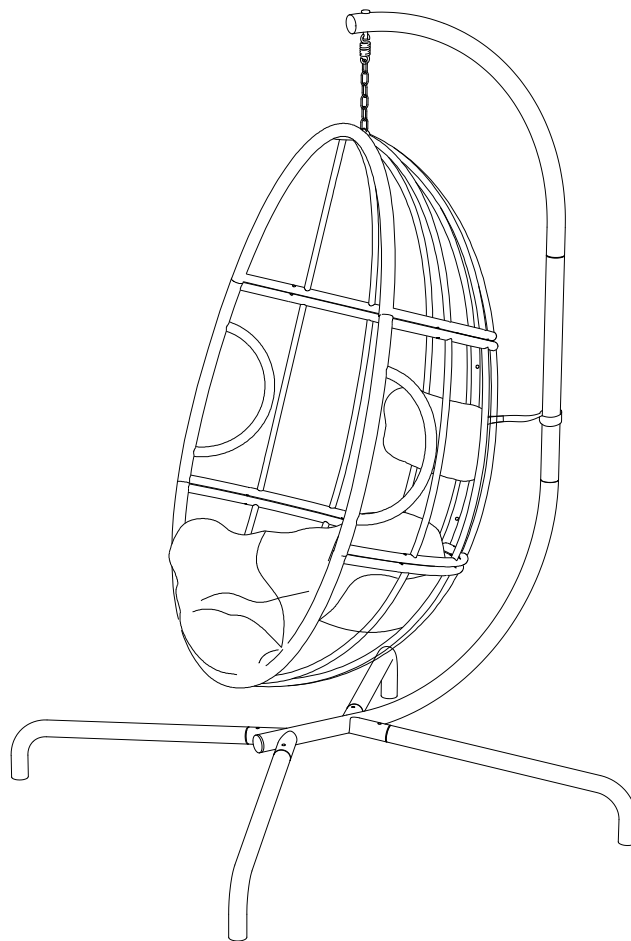


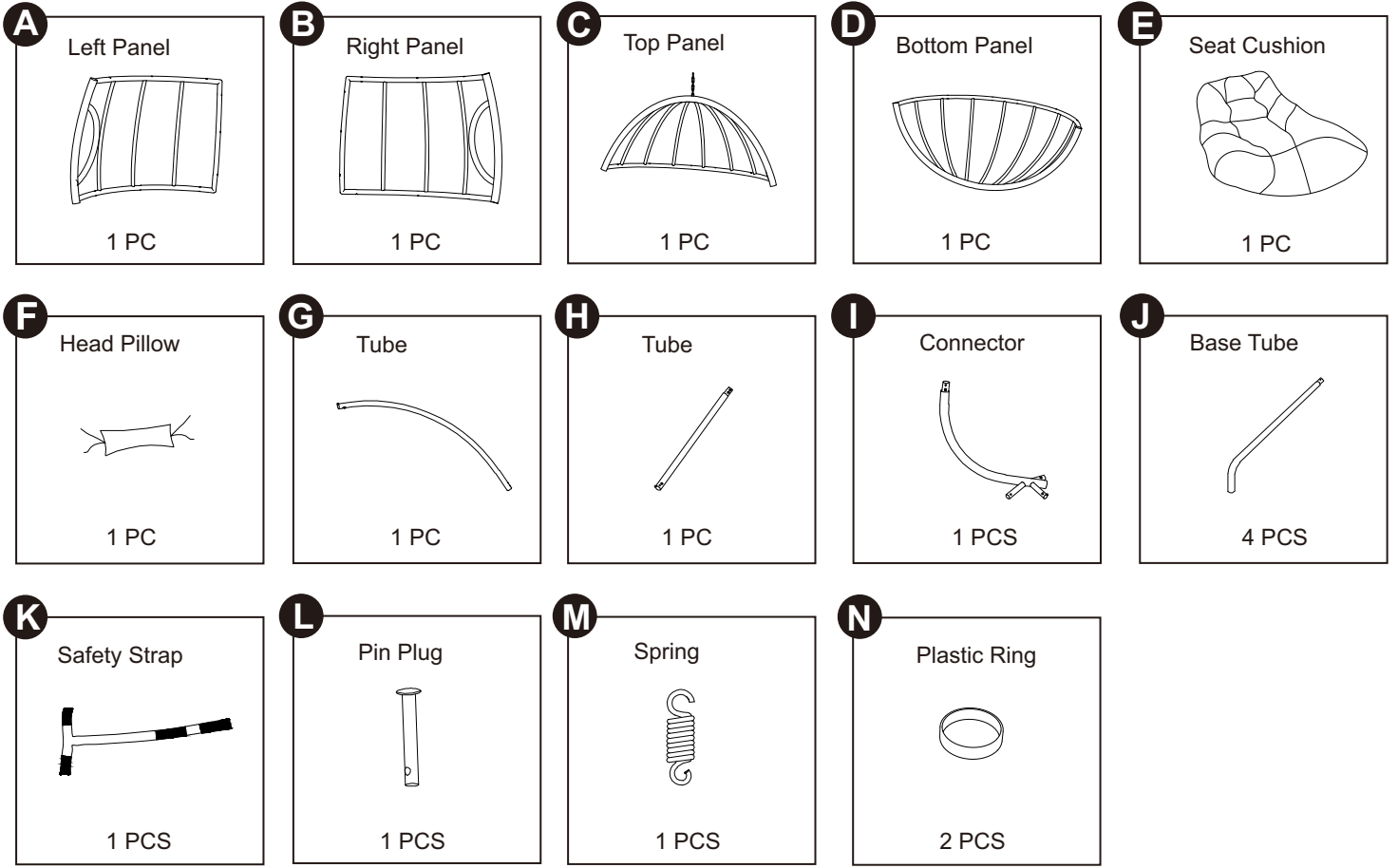
# Basket Swing Chair



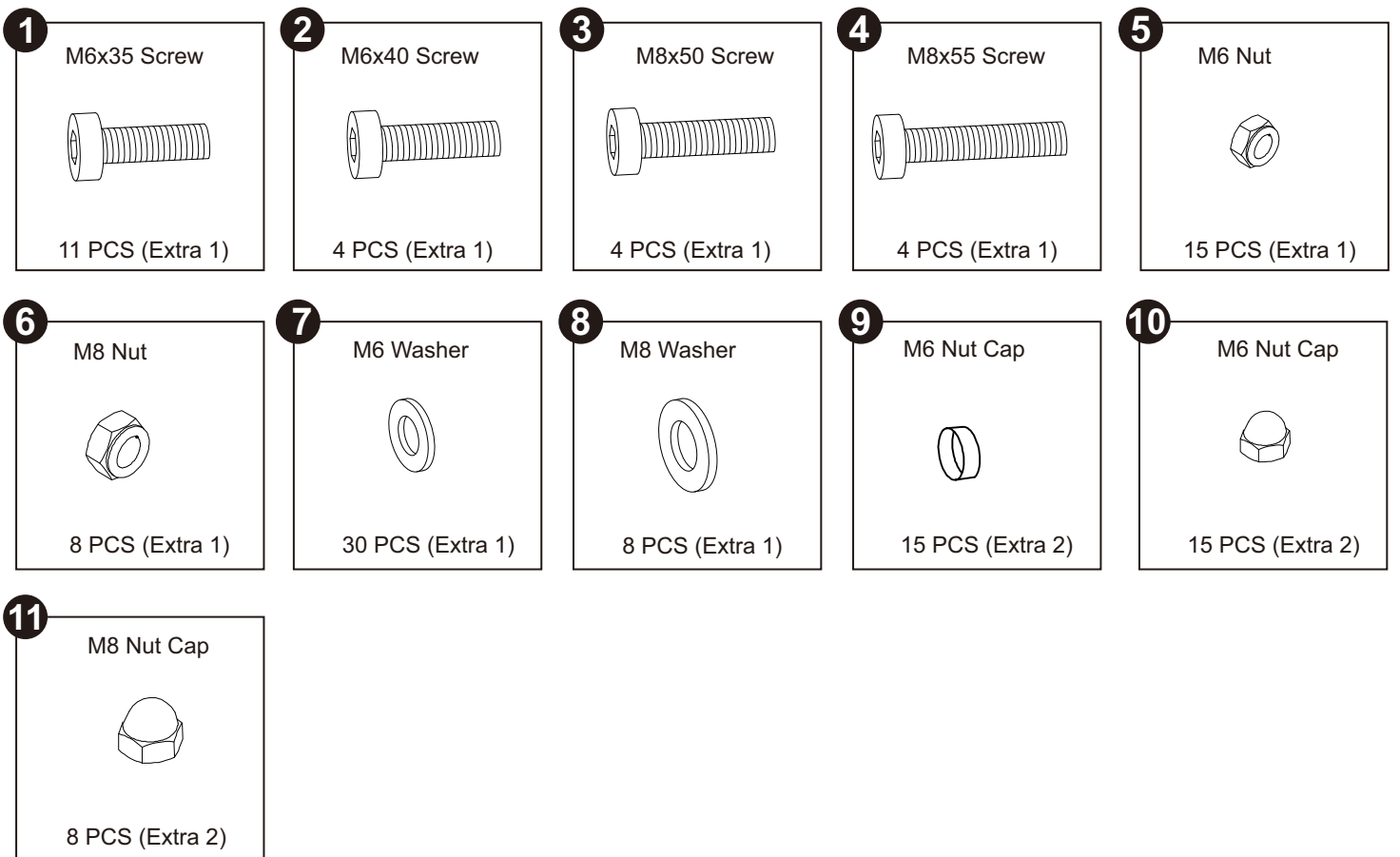
**Read the instructions before use of this product.**

Please keep this instruction manual for future reference.

## PARTS



## HARDWARE

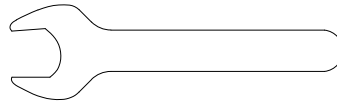


**TOOLS REQUIRED**

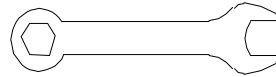


M6&M8 Allen Wrench  
1 PC

+



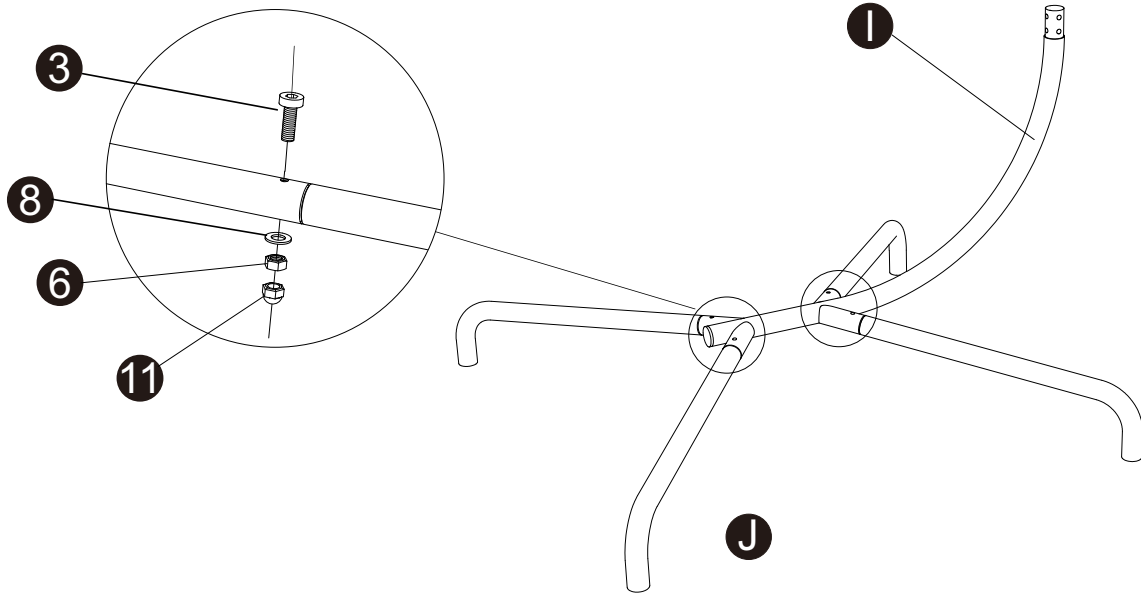
M8 Wrench  
1 PC



Wrench  
1 PC

## PARTS

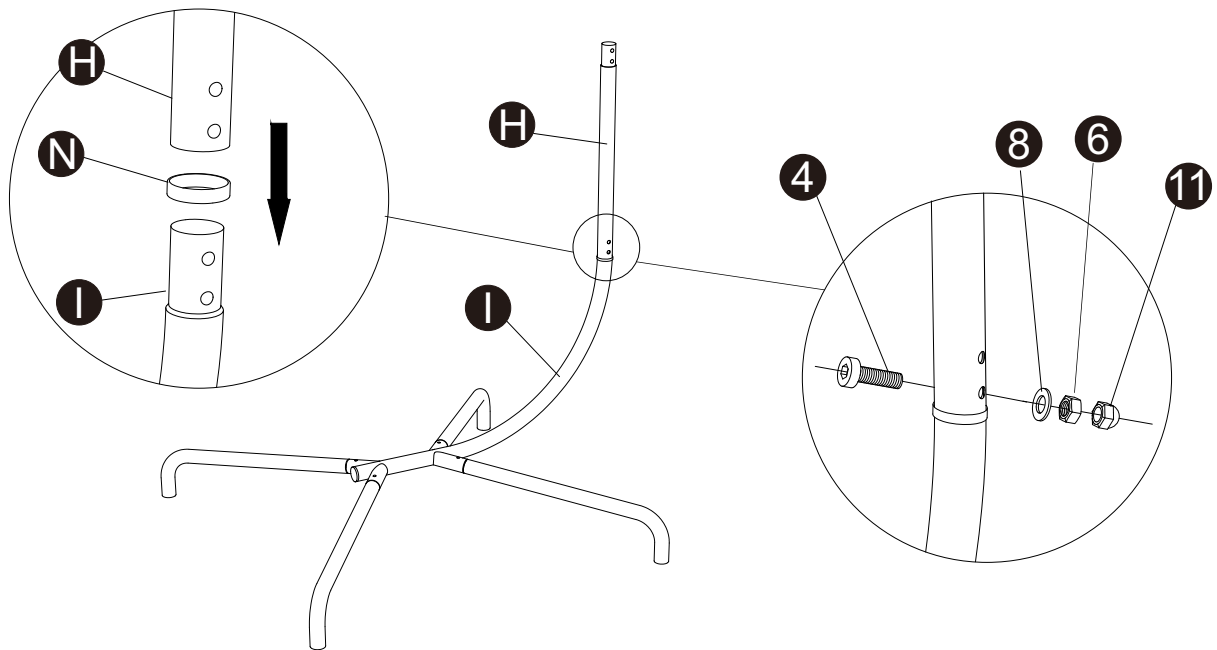
1



Attach base tube (J) to connector (I) using screws (3), nuts (6), washers (8) and nut caps (11).

NOTE: Please do not fully tighten bolts until unit is fully assembled.

2

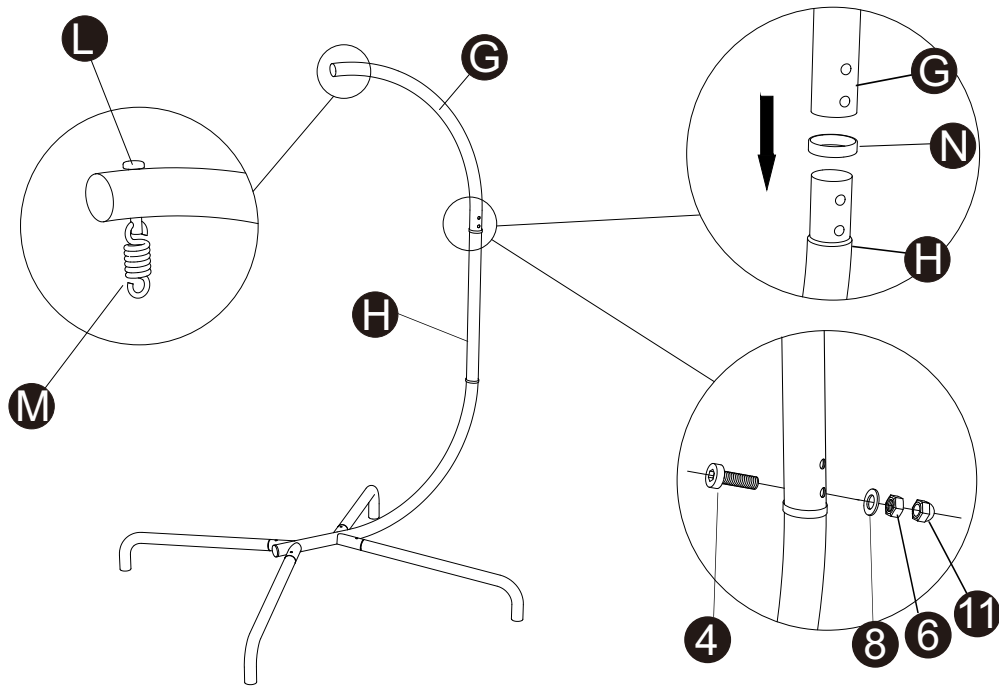


Attach plastic ring (N) and tube (H) to connector (I) using screws (4), nuts (6), washers (8) and nut caps (11).

NOTE: Please do not fully tighten bolts until unit is fully assembled.

**PARTS**

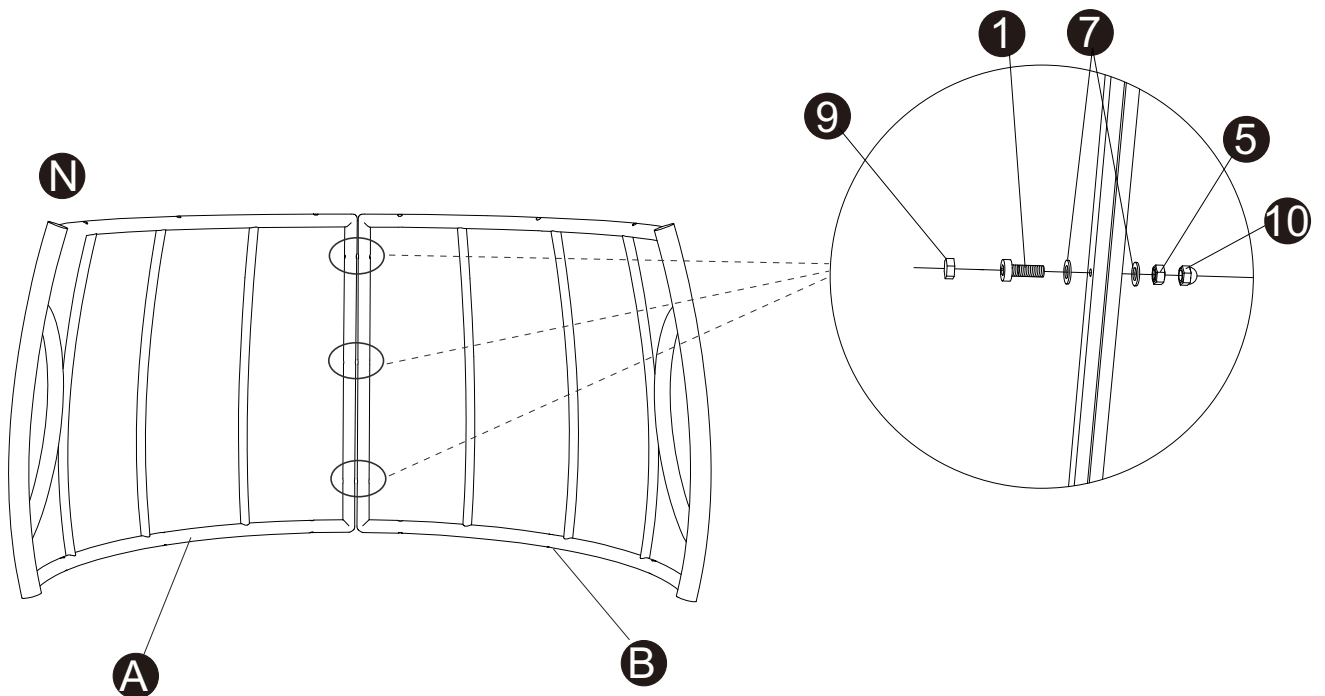
**3**



Attach plastic ring (N) and tube (G) to tube (H) using screws (4), nuts (6), washers (8) and nut caps (11). Insert pin plug (L) into tube (G). Attach spring (M) to pin plug (L).

NOTE: Please fully tighten all bolts at this time.

**4**

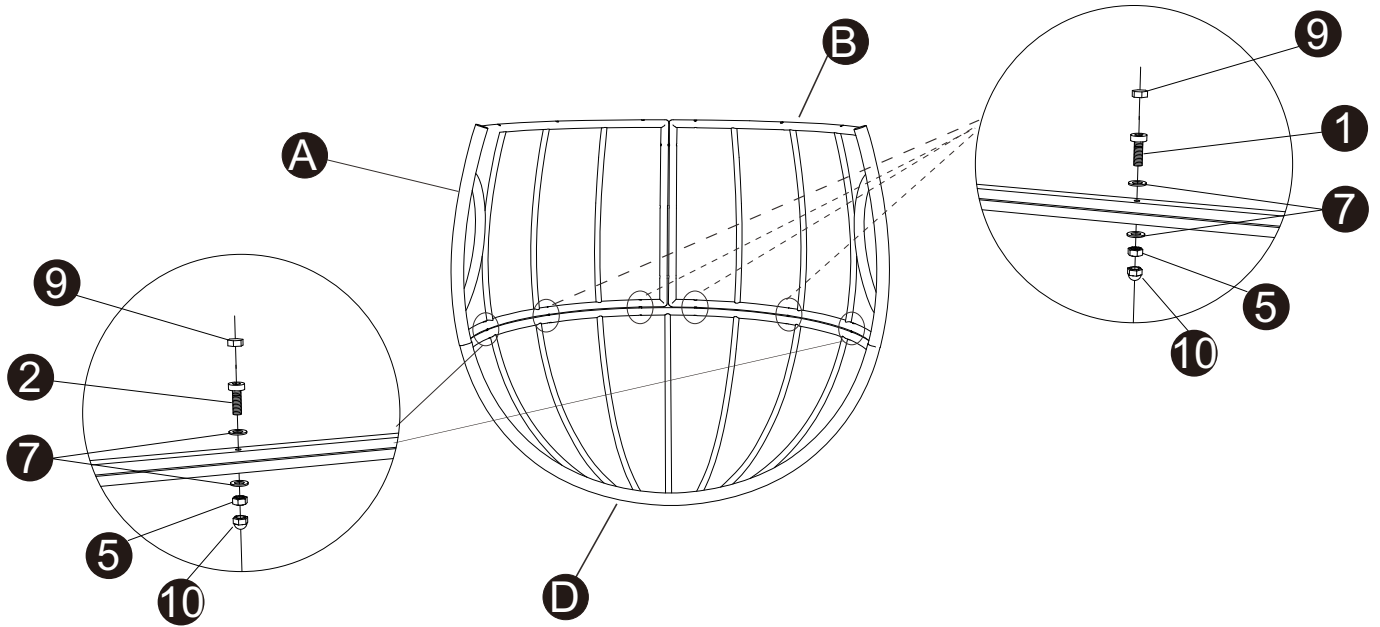


Attach left panel (A) to right panel (B) using screws (1), nuts (5), washers (7) and nut caps (9 & 10).

NOTE: Please do not fully tighten bolts until unit is fully assembled.

## PARTS

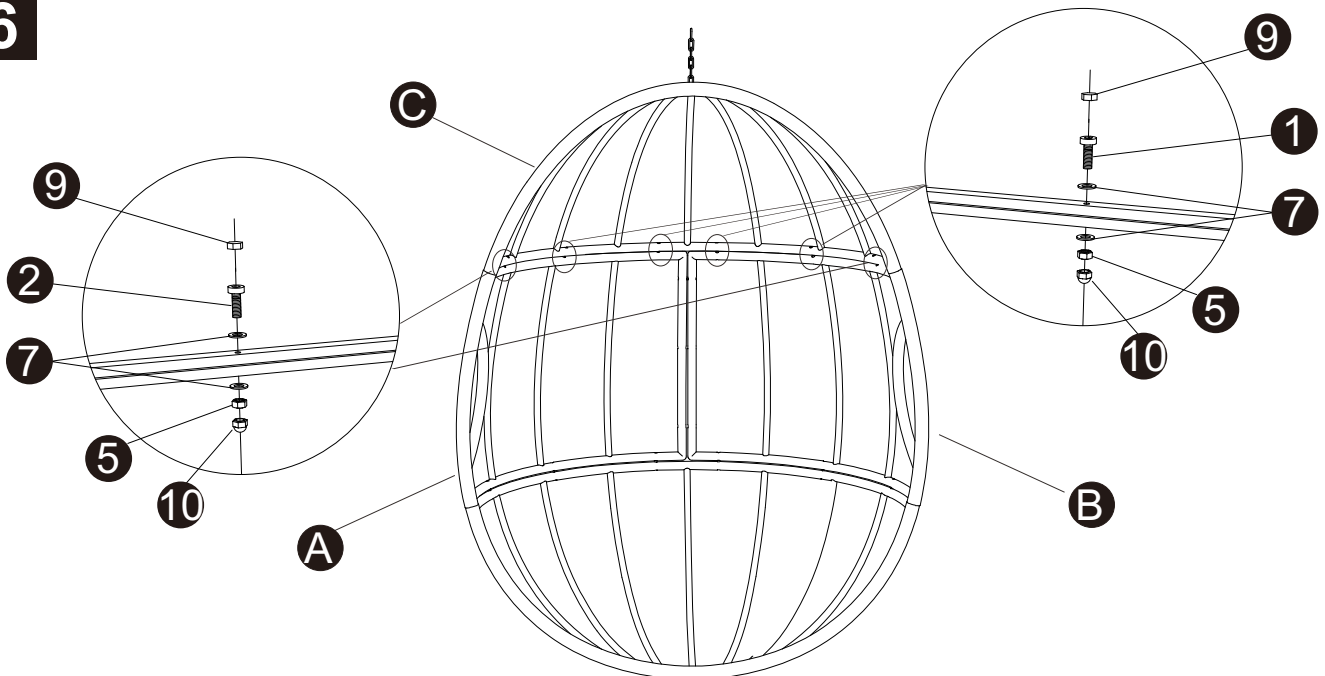
# 5



Attach bottom panel (D) to panels (A & B) using screws (1 & 2), nuts (5), washers (7) and nut caps (10).

NOTE: Please do not fully tighten bolts until unit is fully assembled.

# 6

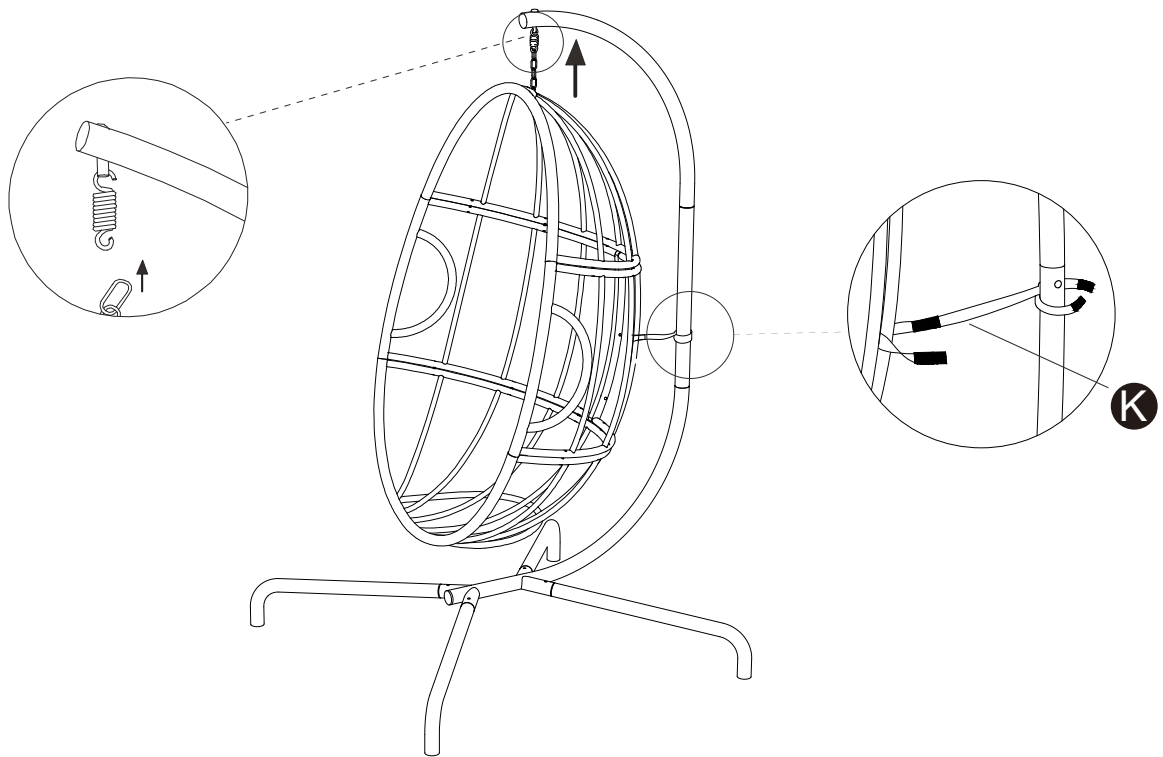


Attach top panel (C) to panels (A & B) using screws (1 & 2), nuts (5), washers (7) and nut caps (10).

NOTE: Please fully tighten all bolts at this time.

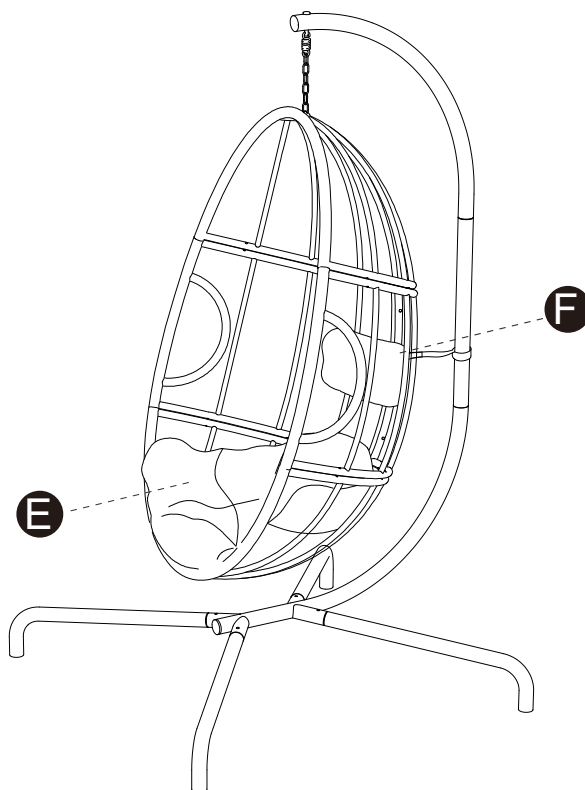
**PARTS**

**7**



Carefully hang chair to the stand.  
Connect chair and stand using safety strap (K).

**8**



Place seat cushion (E) and head pillow (F).  
Now enjoy your chair.