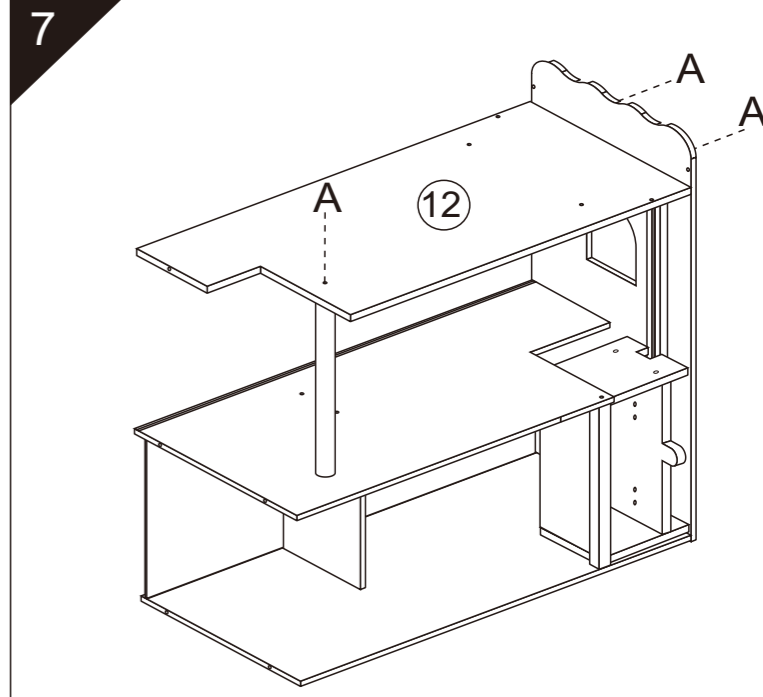
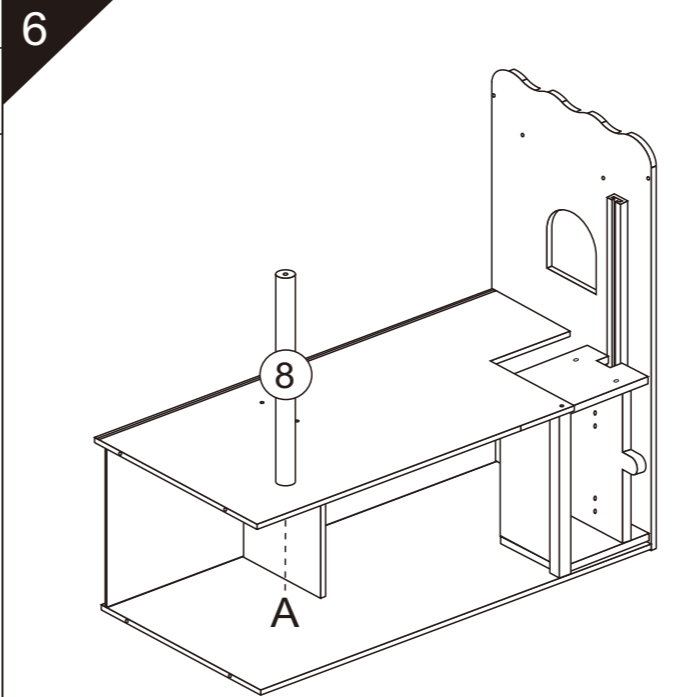
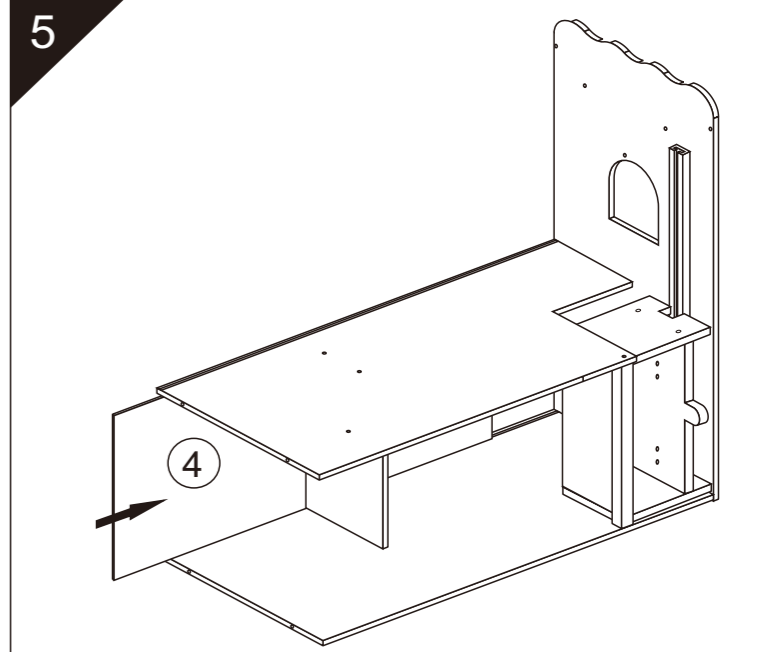
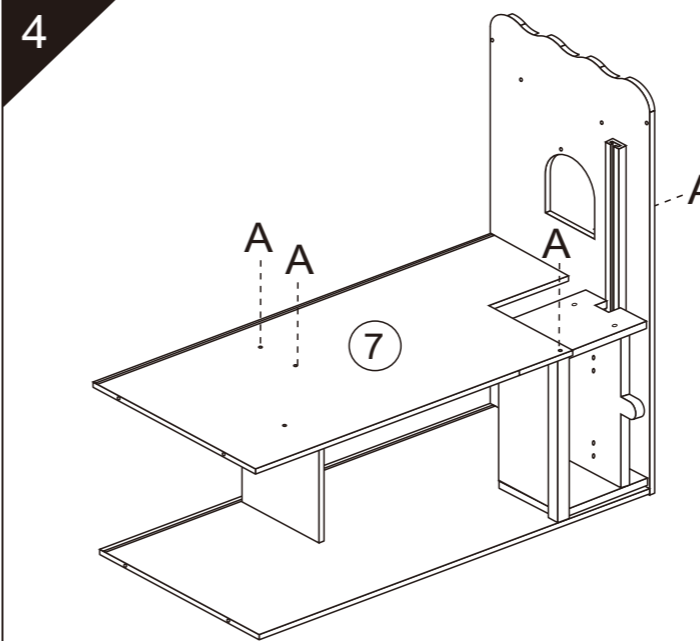
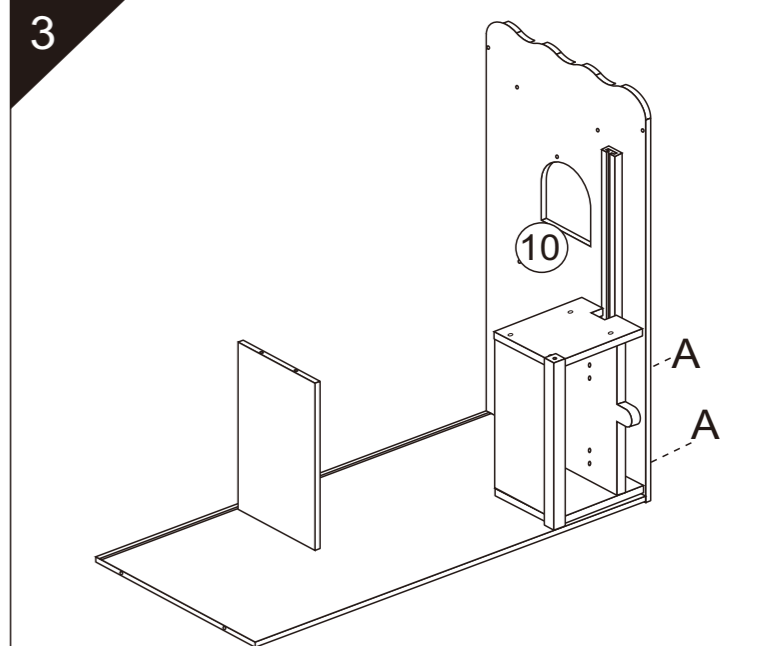
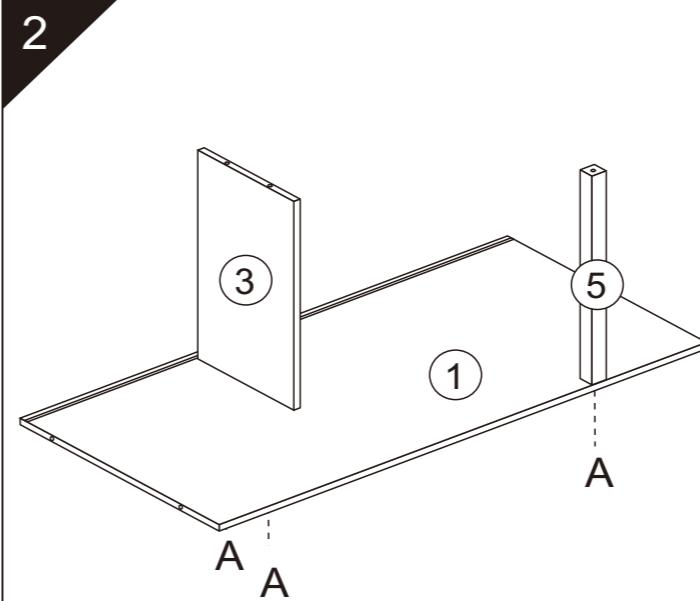
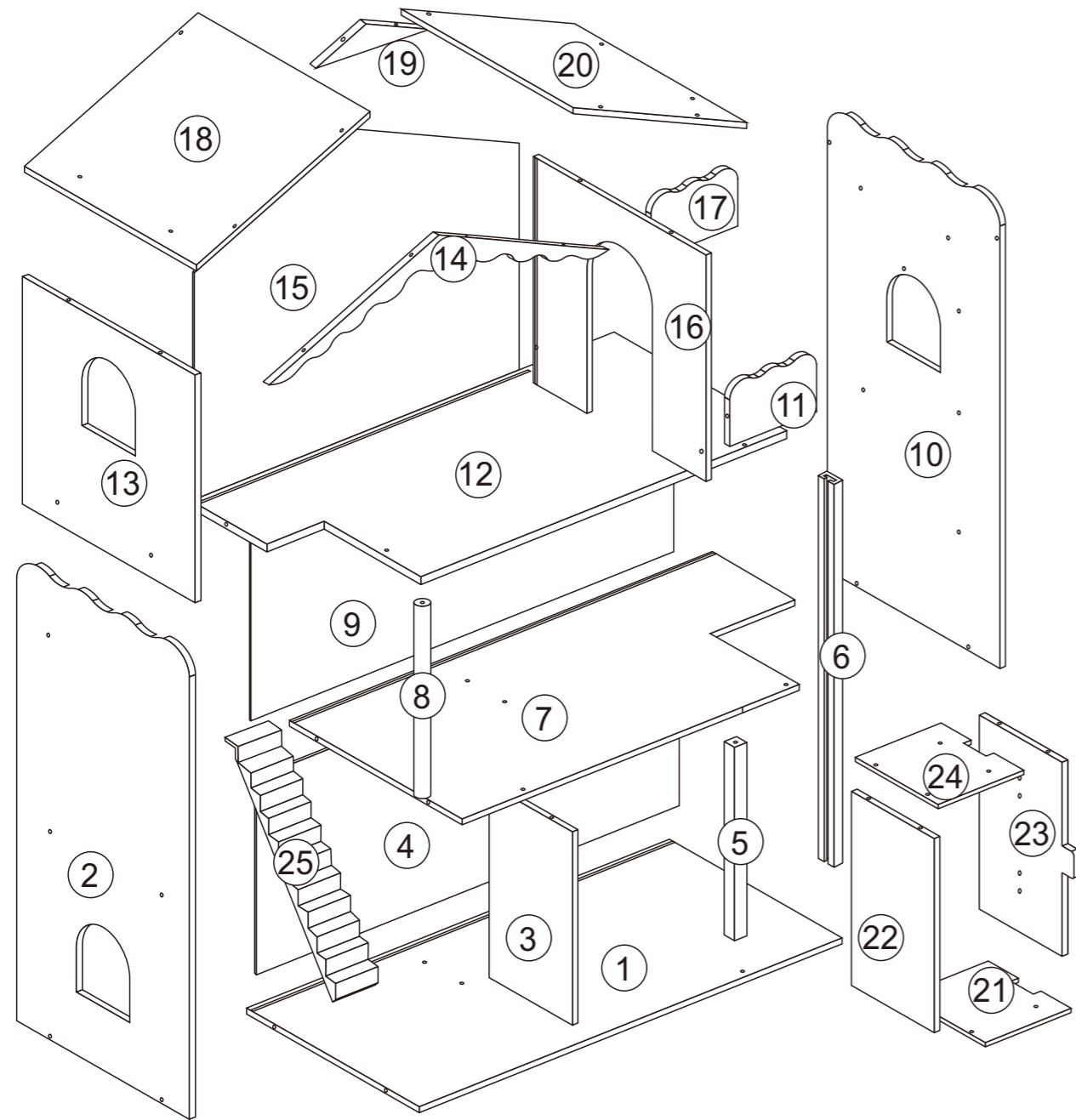
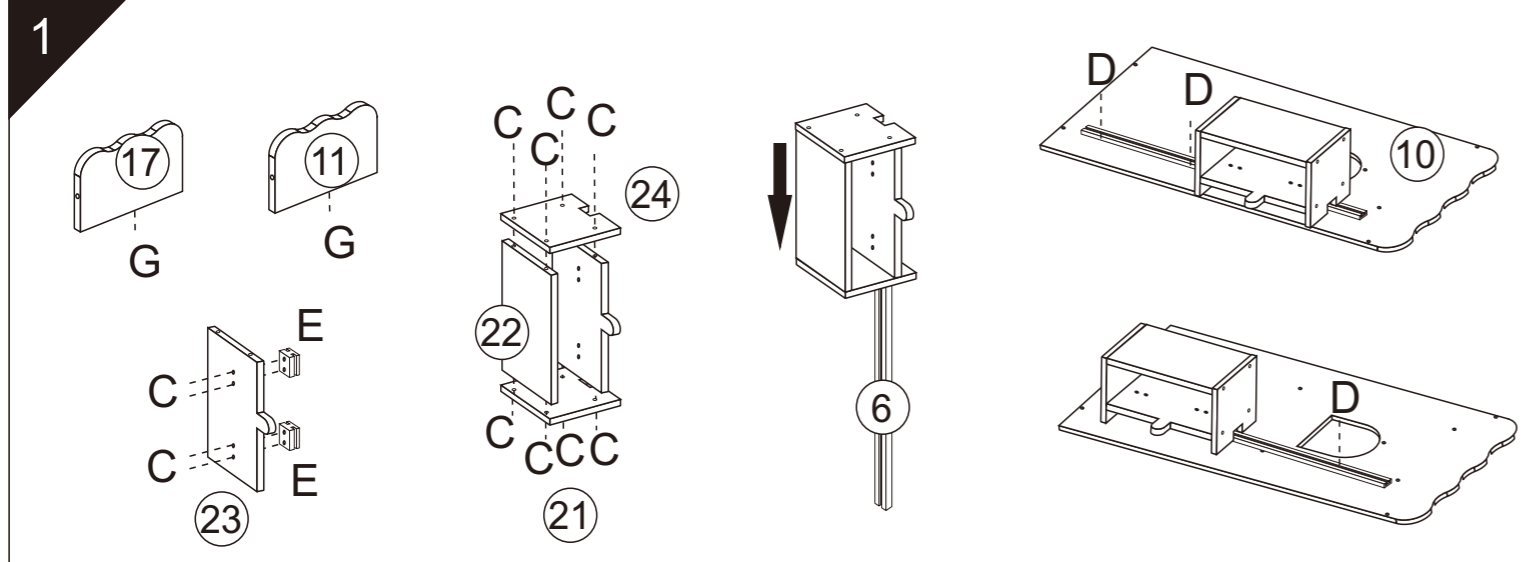


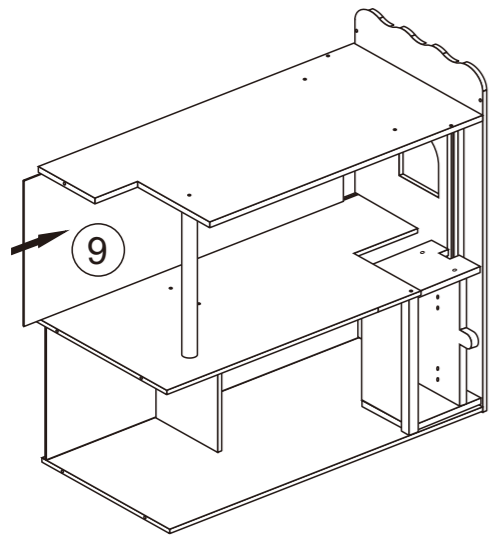
Assembly Instruction



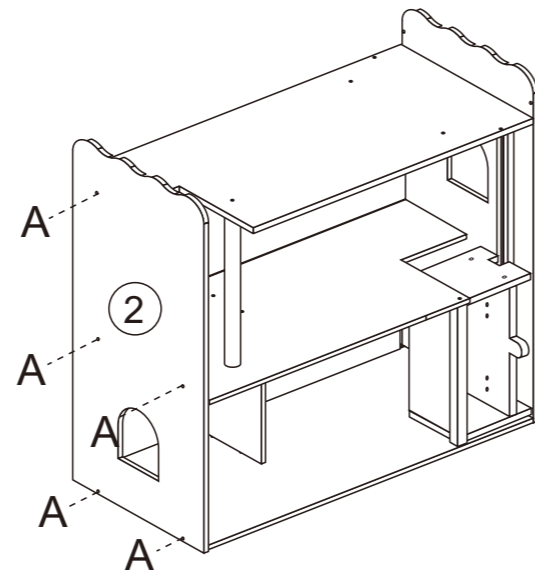
- Ax18
- Bx16
- Cx12
- Dx3
- Ex2
- Fx2
- Gx2



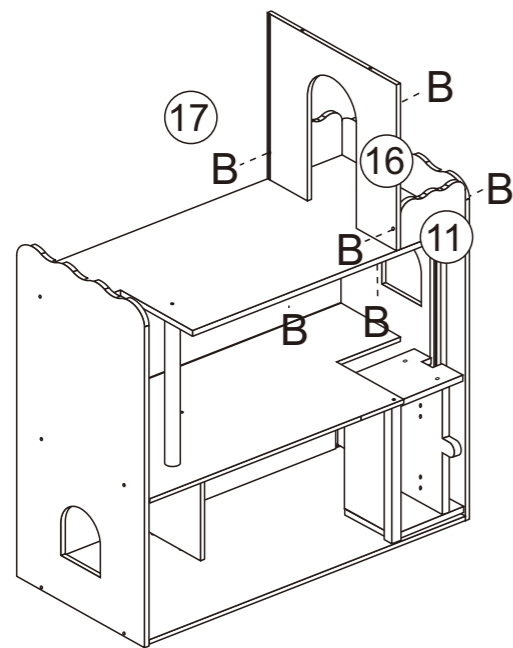
8



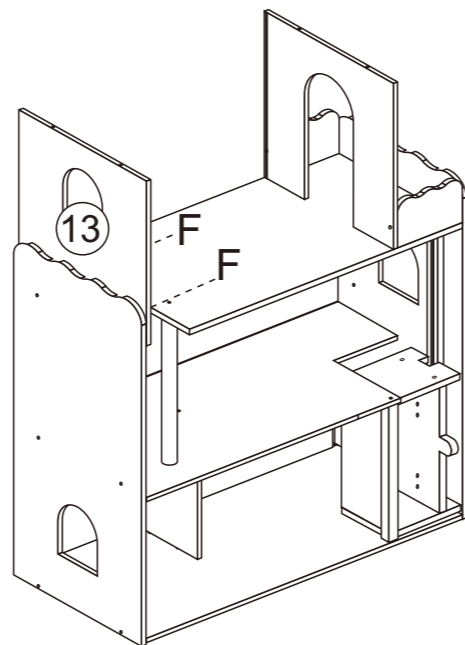
9



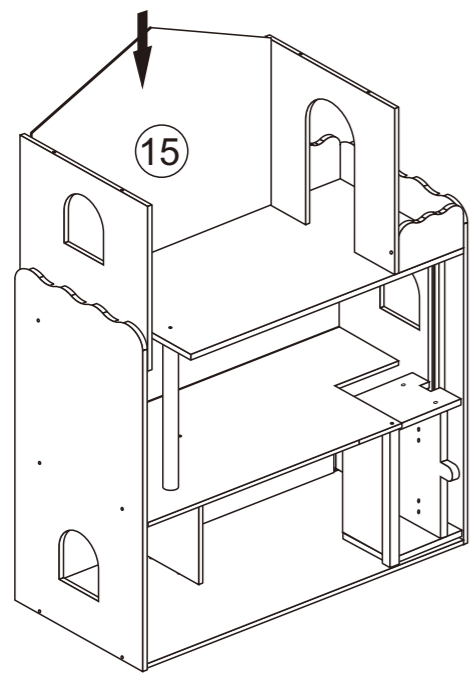
10



11



12



13

