

USER'S MANUAL

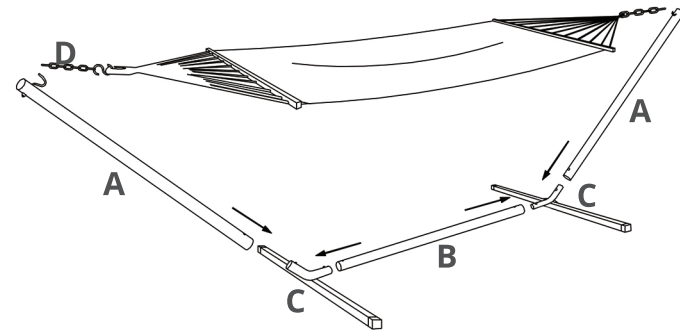
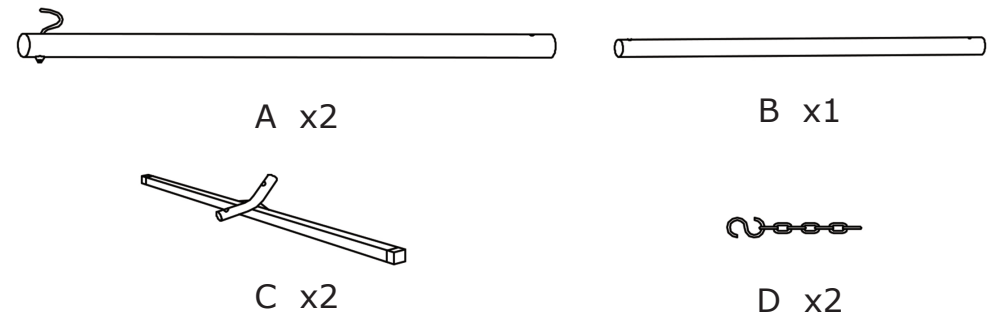
Hammock Stand

THIS INSTRUCTION BOOKLET CONTAINS **IMPORTANT** SAFETY INFORMATION. PLEASE READ AND KEEP FOR FUTURE REFERENCE.



Before You Start

- ⚠ Please read all instructions carefully.
- ⚠ Retain instructions for future reference.
- ⚠ Separate and count all parts and hardware.
- ⚠ Read through each step carefully and follow the proper order.
- ⚠ We recommend that, where possible, all items are assembled near to the area in which they will be placed in use, to avoid moving the product unnecessarily once assembled.
- ⚠ Always place the product on a flat, steady and stable surface.
- ⚠ Keep all small parts and packaging materials for this product away from babies and children as they potentially pose a serious choking hazard.



Tips: If the hammock stand is difficult to fix, put your body behind the stand to prevent the stand from sliding, and then firmly grasp the O-ring. Use the other hand to secure the chain to the stand.

Step 1 - Connect part B to part C. This is the base.

Step 2 - Connect part A to part C on both ends.

Step 3 - Make certain that one part is fully inserted into the other part. Then connect the hammock to the S-hook.

This hammock stand is designed for convenient installation. There is a proper gap between the pipe fittings, which will cause slight shaking. This is a normal phenomenon and does not affect its load-bearing and use functions.