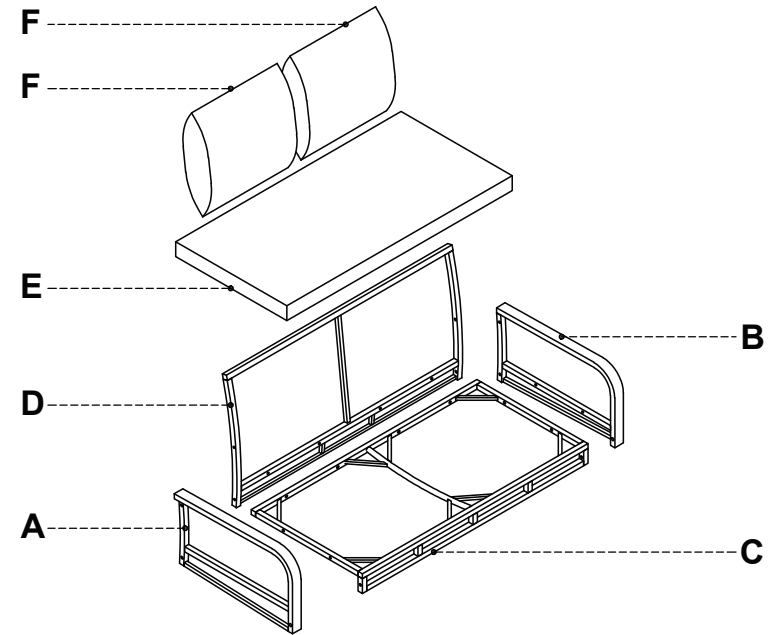


Rattan Hanging Porch Swing



## Before You Start

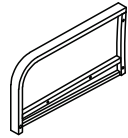
- ⚠ Please read all instructions carefully.
- ⚠ Retain instructions for future reference.
- ⚠ Separate and count all parts and hardware.
- ⚠ Read through each step carefully and follow the proper order.
- ⚠ We recommend that, where possible, all items are assembled near to the area in which they will be placed in use, to avoid moving the product unnecessarily once assembled.
- ⚠ Always place the product on a flat, steady and stable surface.
- ⚠ Keep all small parts and packaging materials for this product away from babies and children as they potentially pose a serious choking hazard.



### Notice

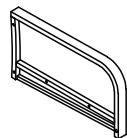
1. 50% Tighten before fixing all screws, Allen wrench is recommended instead of an electric drill.
2. Place the item on a flat ground to adjust and make sure it remains stable.
3. Tighten up all screws with tools gradually.
4. If the screws are not aligned with holes during assembly, please loosen all the other screws to 50% and continue the assembly process.
5. If the item is not stable, please loosen all the screws, adjust it on a flat ground and tighten up all screws again.
6. Note: If one or some screws are fully tightened during assembly, chances are the others will not be aligned with holes. In addition, all the holes are designed to be relatively larger to provide more space for the adjustment of the screws.

## PARTS LIST



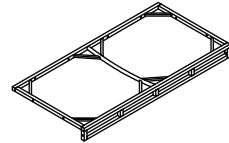
Right Frame

(A) x1



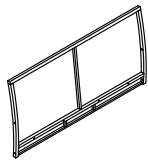
Left Frame

(B) x1



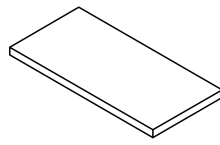
Seat Frame

(C) x1



Back Frame

(D) x1



Seat Cushion

(E) x1



Back Pillow

(F) x2

## HARDWARE LIST



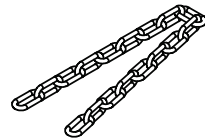
Bolt M6x40mm

(1) x10



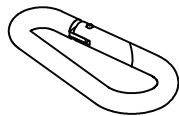
Washers  
Ø6x16x1 mm

(2) x10



Steel chain

(3) x2



Safety keychain

(4) x4



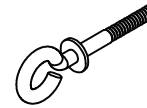
Washers  
Ø8x20x2 mm

(5) x6



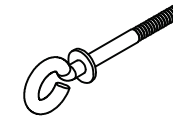
Nut M8

(6) x2



Bolt  
M8x105mm

(7) x2



Bolt  
M8x120mm

(8) x2



Allen key M4

(9) x1

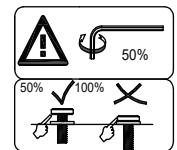
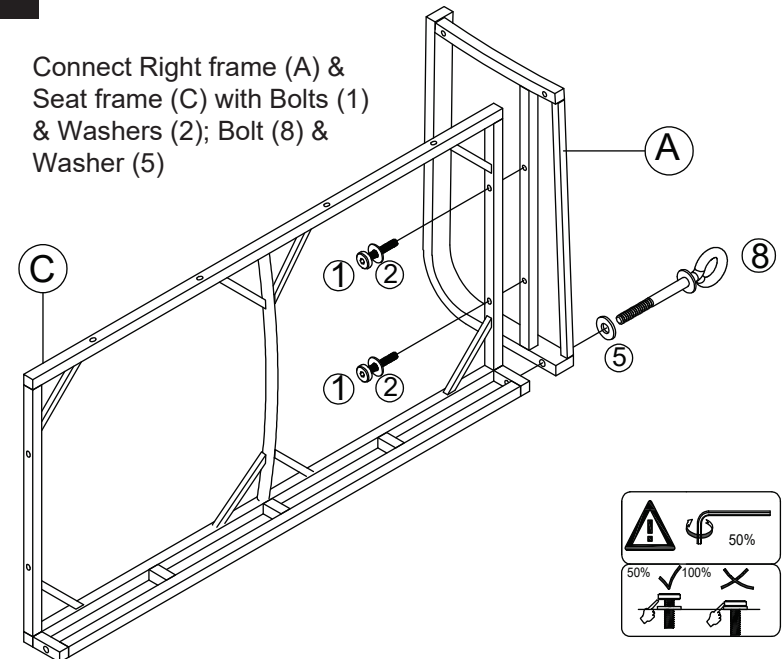


Spanner

(10) x1

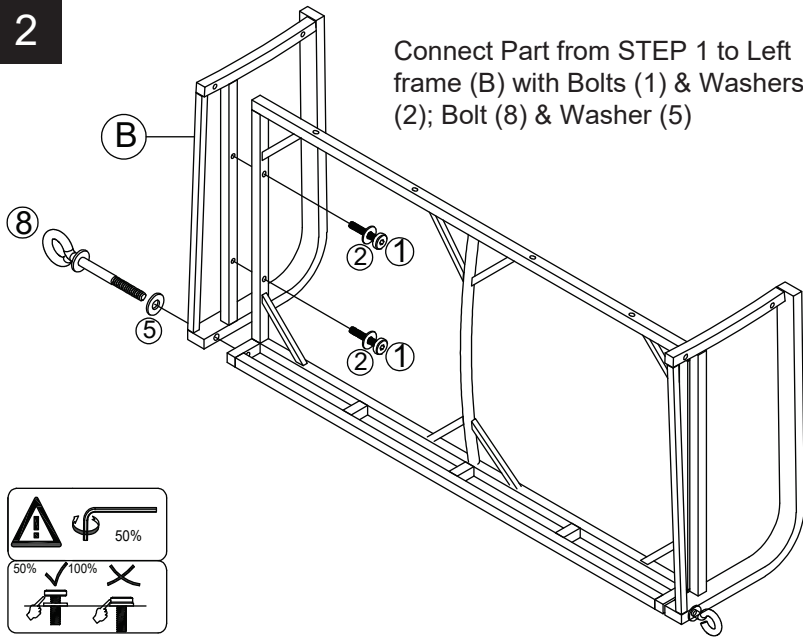
1

Connect Right frame (A) & Seat frame (C) with Bolts (1) & Washers (2); Bolt (8) & Washer (5)



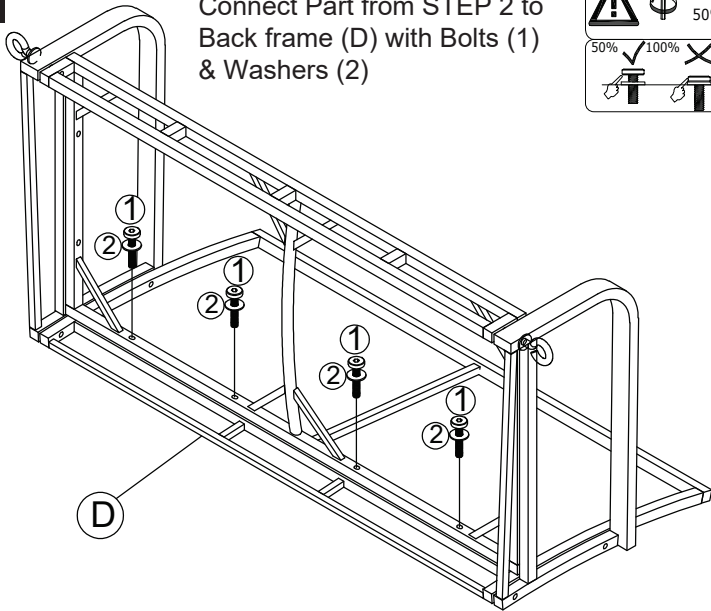
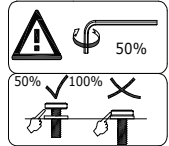
2

Connect Part from STEP 1 to Left frame (B) with Bolts (1) & Washers (2); Bolt (8) & Washer (5)

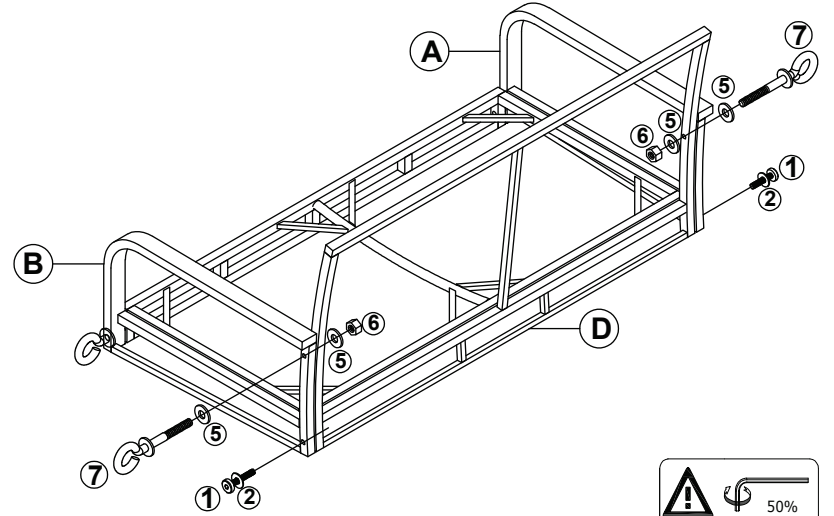


3

Connect Part from STEP 2 to Back frame (D) with Bolts (1) & Washers (2)

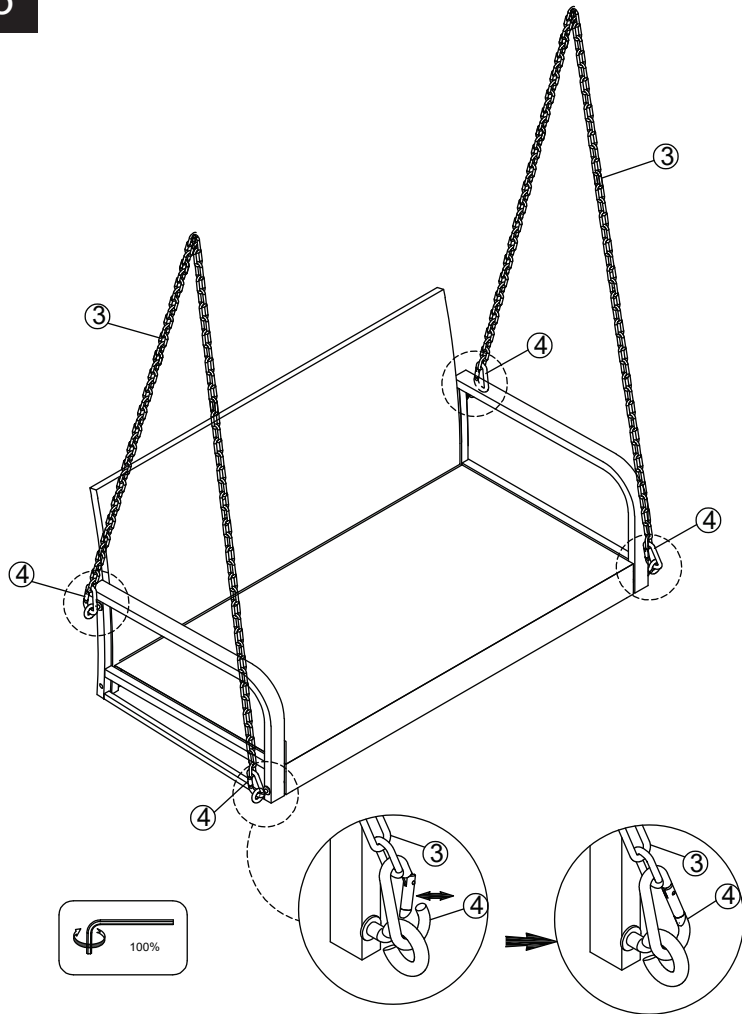


4



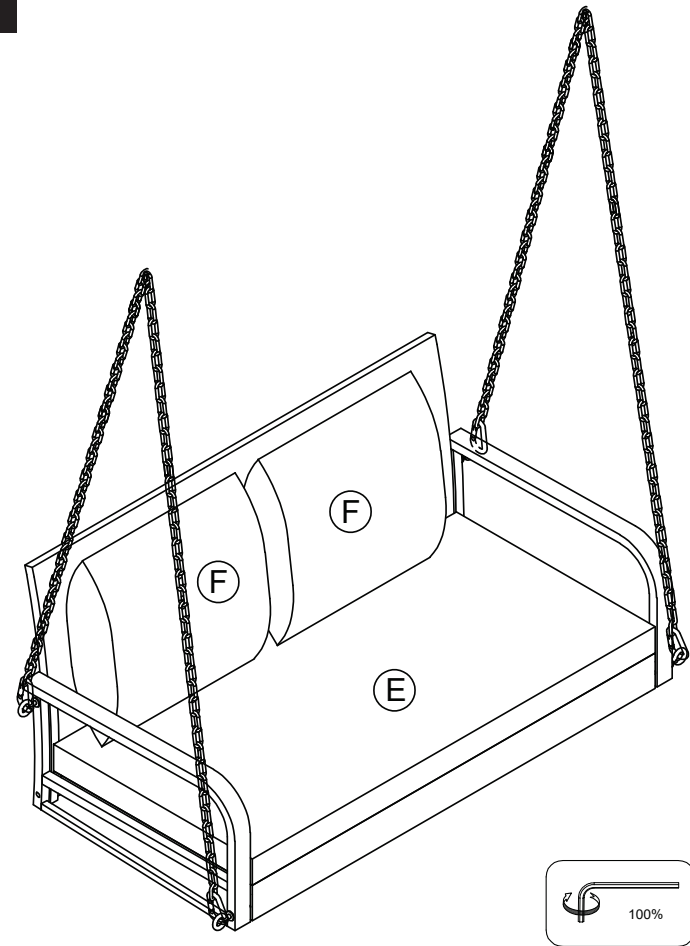
Connect the parts of the Back frame (D) to Right frame (A) and Left frame (B) completed in STEP 3 with Bolts (1) & Washers (2); Bolts (7) and Washers (5) & Nuts (6)

5

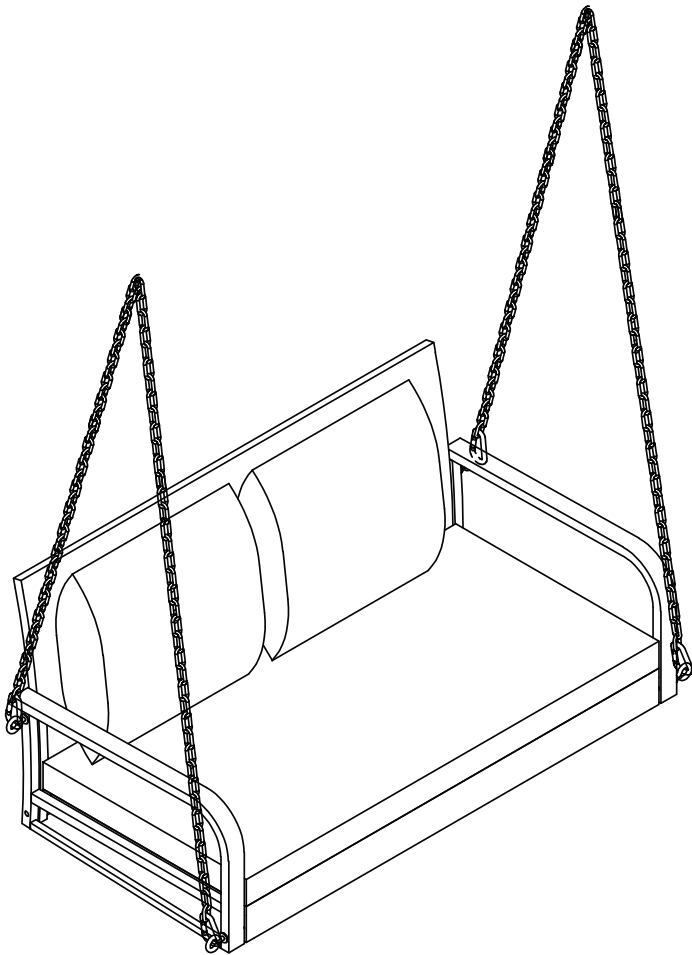


Connect Part from STEP 4 with Steel chain (3) & Safety keychain (4)

6



Put on Seat cushion (E) & Back Pillow (F) to complete the assembly of Rattan Hanging Porch Swing



## Return / Damage Claim Instructions

- ⚠ **DO NOT discard the box / original packaging.**  
In case a return is required, the item must be returned in original box. Without this your return will not be accepted.
- ⚠ **Take a photo of the box markings.**  
A photo of the markings (text) on the side of the box is required in case a part is needed for replacement. This helps our staff identify your product number to ensure you receive the correct parts.
- ⚠ **Take a photo of the damaged part (if applicable).**  
A photo of the damage is always required to file a claim and get your replacement or refund processed quickly. Please make sure you have the box even if it is damaged.
- ⚠ **Send us an email with the images requested.**  
Email us directly from marketplace where your item was purchased with the attached images and a description of your claim.