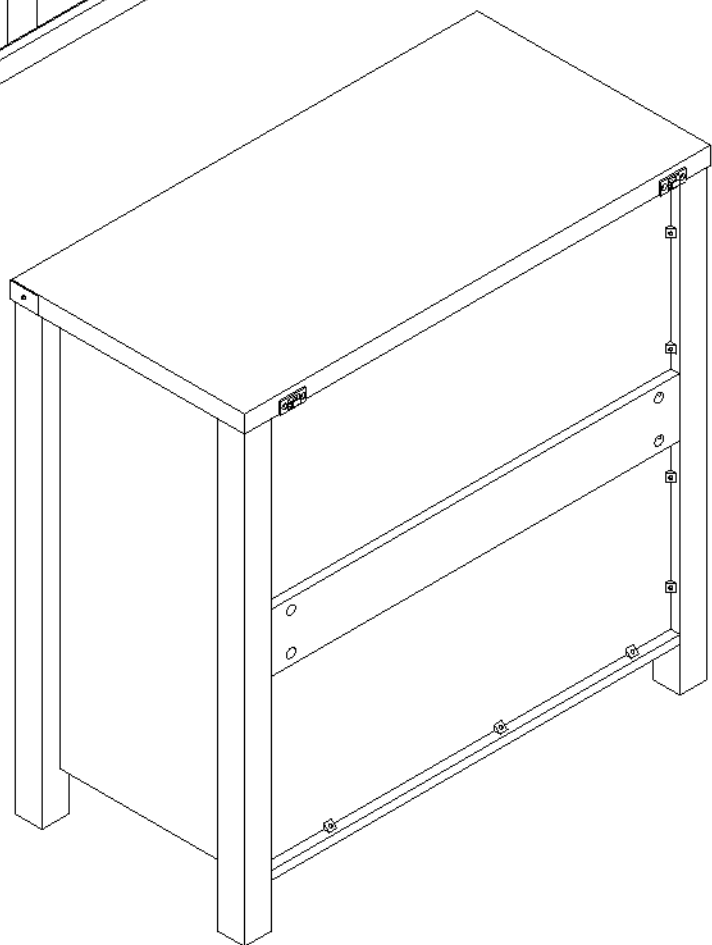
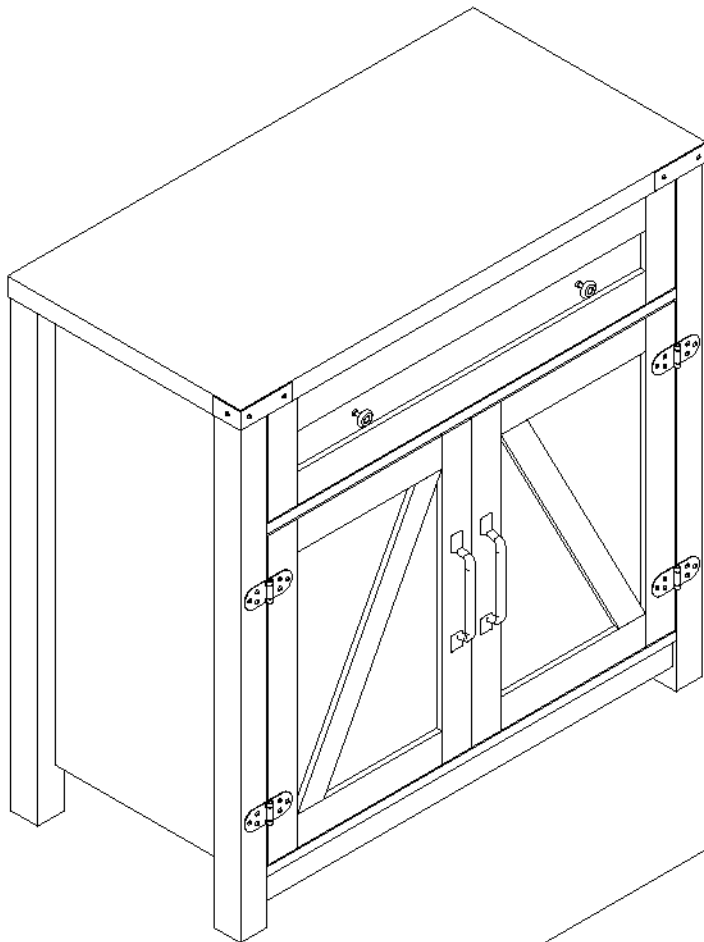












# User Manual

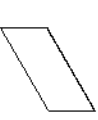










## ASSEMBLY INSTRUCTION









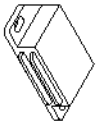

**CD-070**




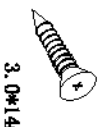

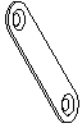


# Parts List








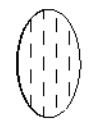
NO.	Drawing	Dimension	QTY
1		770*46*46mm	*1
2		770*46*46mm	*1
3		770*46*46mm	*1
4		770*46*46mm	*1
5		690*302*15mm	*1
6		690*302*15mm	*1
7		702*394*15mm	*1
8		702*40*15mm	*1
9		702*100*15mm	*1
10		702*100*15mm	*1

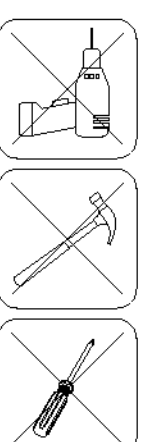
NO.	Drawing	Dimension	QTY
11		712*342*4mm	*2
12		800*400*30mm	*1
13		490*348*18mm	*1
14		490*348*18mm	*1
15		700*352*15mm	*1
16		350*120*15mm	*1
17		350*120*15mm	*1
18		698*160*18mm	*1
19		334*80*15mm	*1
20		657*344*4mm	*1
21		647*120*15mm	*1

# Hardware Fitting

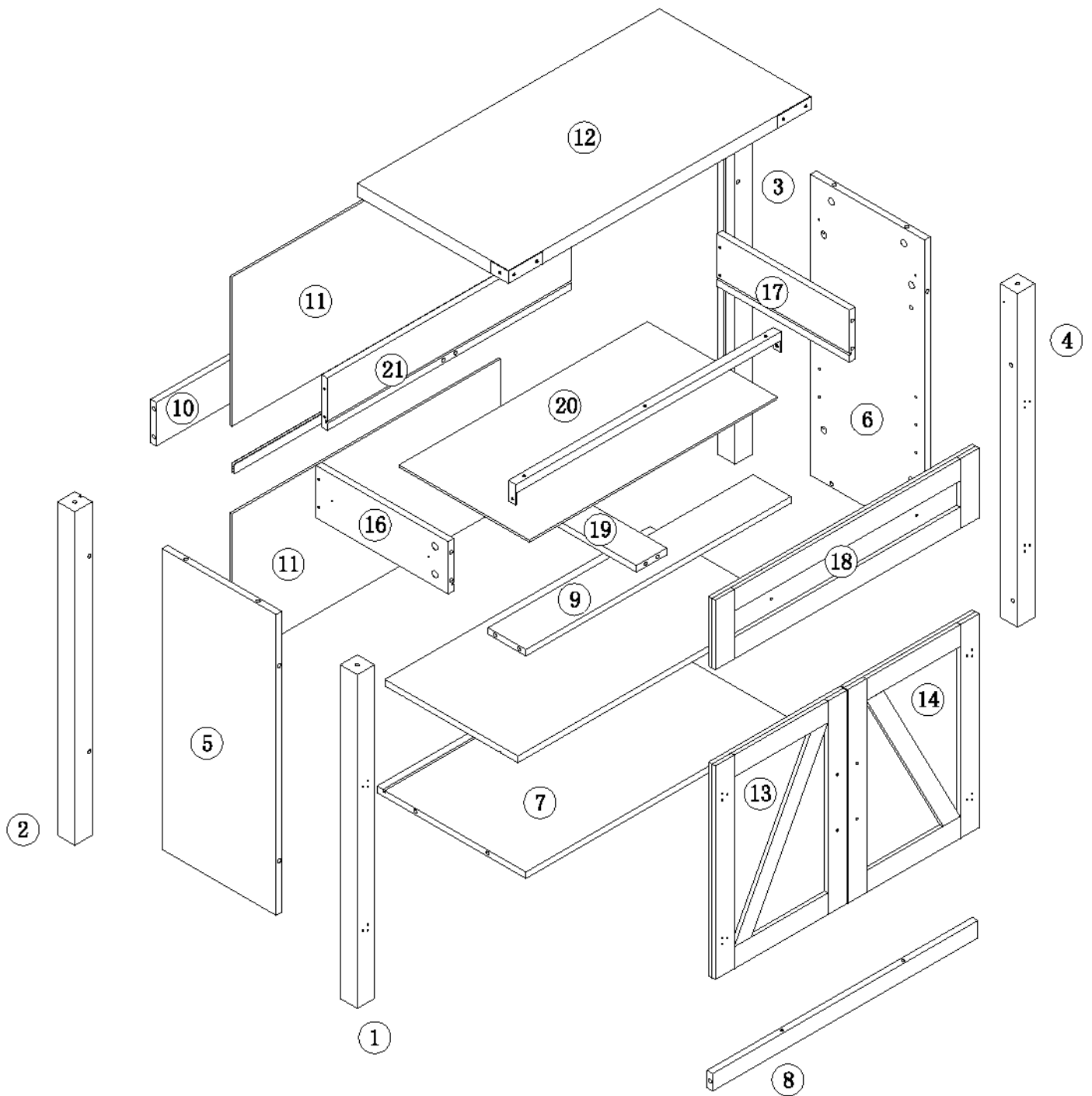
NO.	Drawing	QTY
A	 *34	*34
B	 *34	*34
C	 *2	*2
D	 *21	*21
E	 *2	*2
F	 *2	*2
G	 *2	*2
H	 *1	*1

NO.	Drawing	QTY
I	 *1	*1
J	 *4	*4
K	 *14	*14
L	 *14	*14
M	 *2	*2
N	 *2	*2
O	 *2	*2
P	 *4	*4

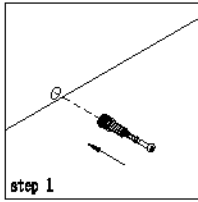
NO.	Drawing	QTY
Q	 *4	*4
R	 *24	*24
S	 *4	*4
T	 *4	*4
U	 *2	*2
V	 *2	*2
	 *1	*1
	 *36	*36



# Split Graph

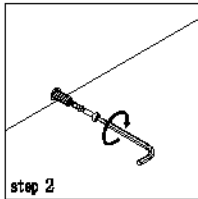


# Cam Coupling Using Methods



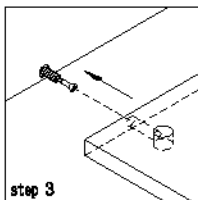
**Step1.**

**Connect the cam coupling A as directed in the assembly instructions using hand.**



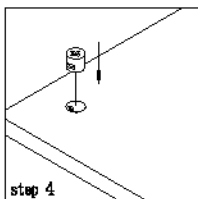
**Step2.**

**Screw the cam coupling A as directed in the assembly instructions.**



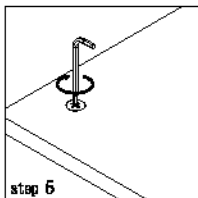
**Step3.**

**Push the cam coupling A into the entry hole.**



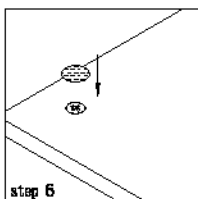
**Step4.**

**Insert the cam coupling B as shown in the instructions.**



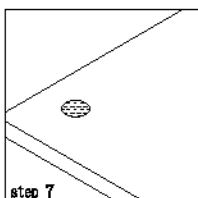
**Step5.**

**Turn the cam coupling B clockwise with a screwdriver.**



**Step6.**

**Put on Beautycam.**



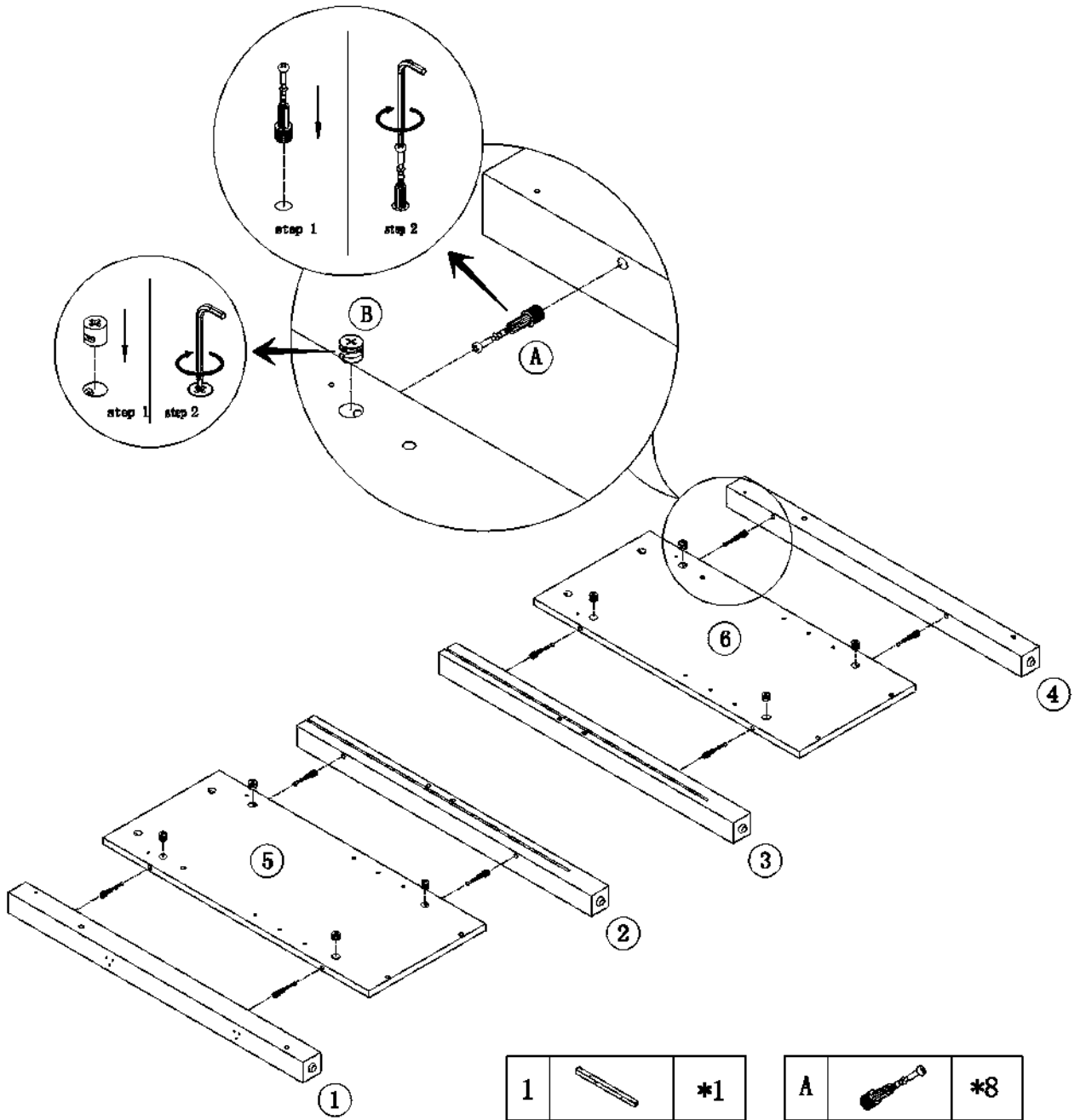
**Step7.**

**Finished.**

**You should feel a click when the camlock is locked in place.**

**The joint is now secure.**






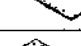
**Note: Cam Coupling Using Methods,  
please refer to Page No.5**





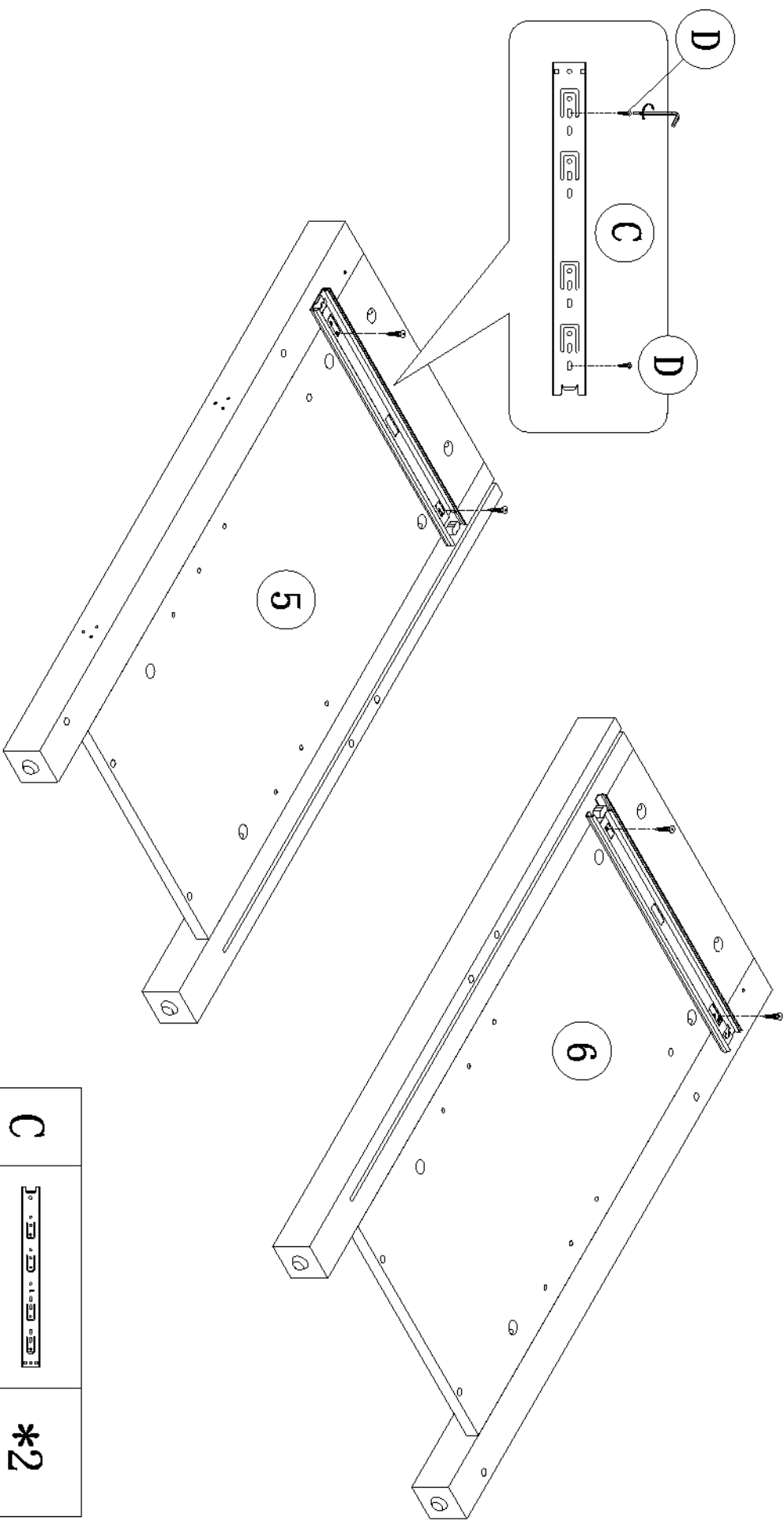
**Step 1.**

**Connect Panel 1 and Panel 2 to Panel 5,  
and Connect Panel 3 and Panel 4 to**

**Panel 6 with Cam Coupling A&B,  
please watch the right side of Panel 2 and Panel 3.**



1		*1
2		*1
3		*1
4		*1
5		*1
6		*1



A		*8
B		*8





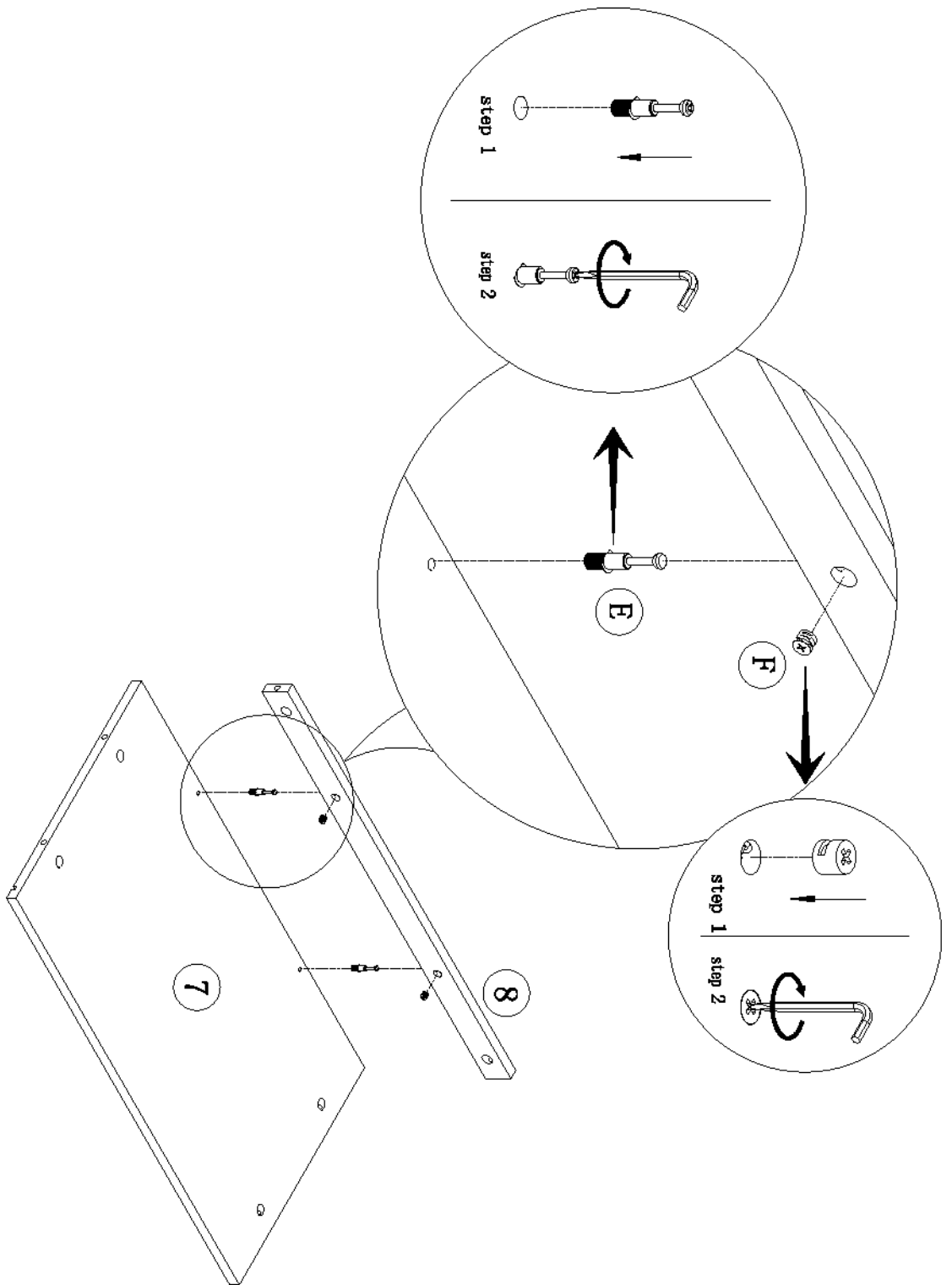
**Step 2.**

**Put on guide rail C on panel 5 and panel 6 with screw D.**

C		*2
D	 3,5*14	*4

7		*1
8		*1

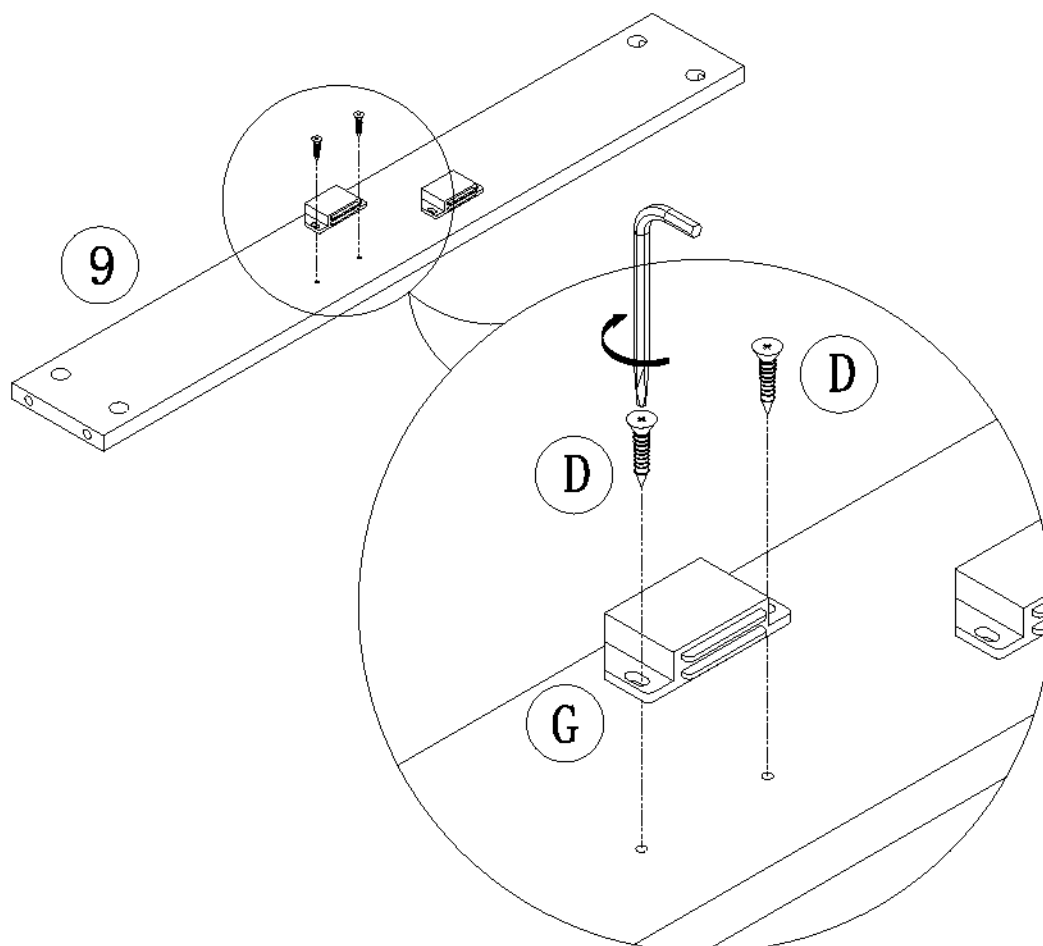
E		*2
F		*2

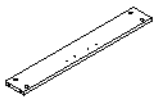


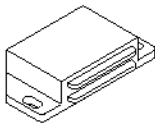
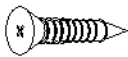
### Step 3.

**Connect Panel 8 to Panel 7 with Cam Coupling E&F.**



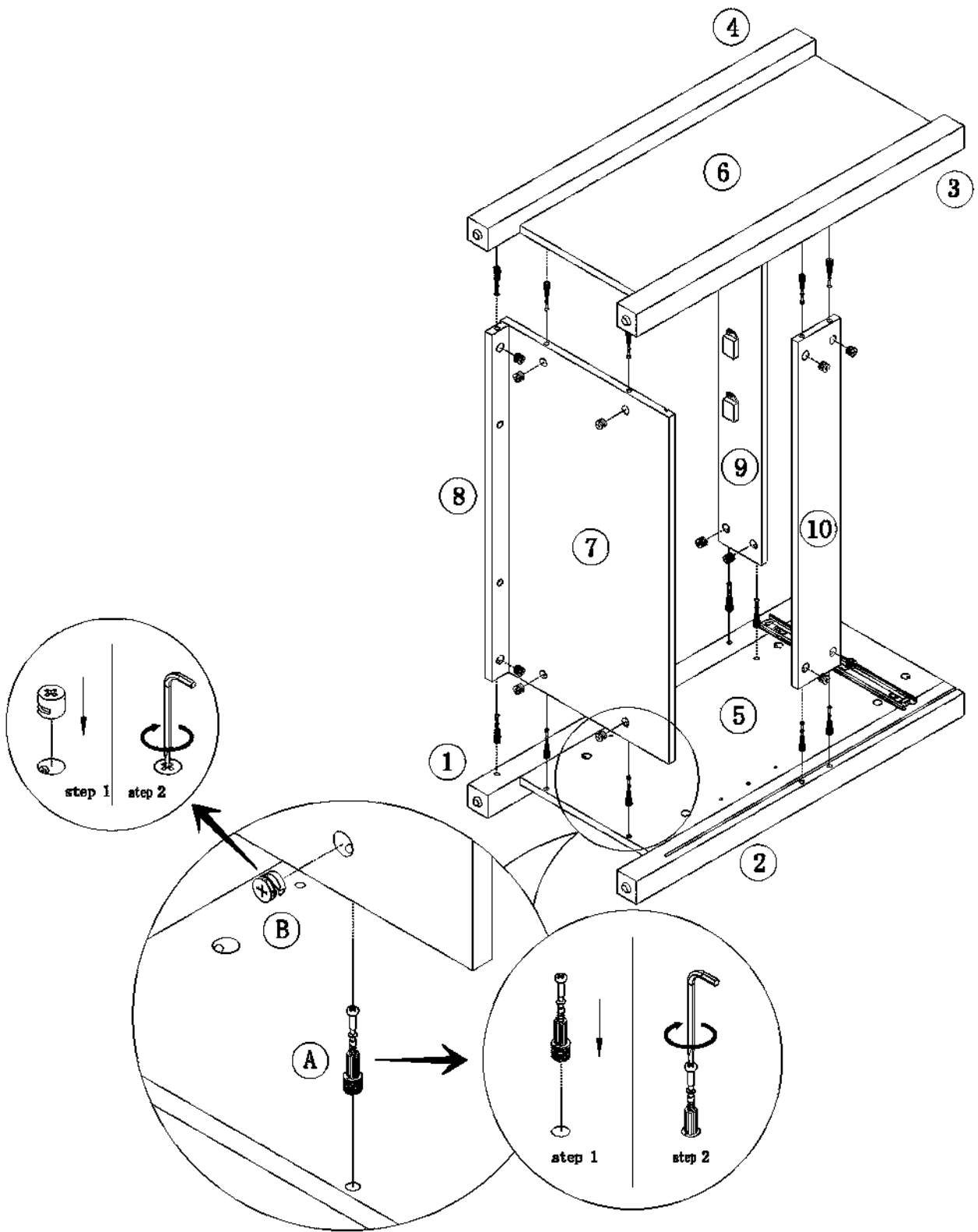



9		*1
---	---	----



G		*2
D	 3.5*14	*4

#### Step 4.

fix the magnetic lock G on Panel 9 with screw D.



10		*1
----	---	----

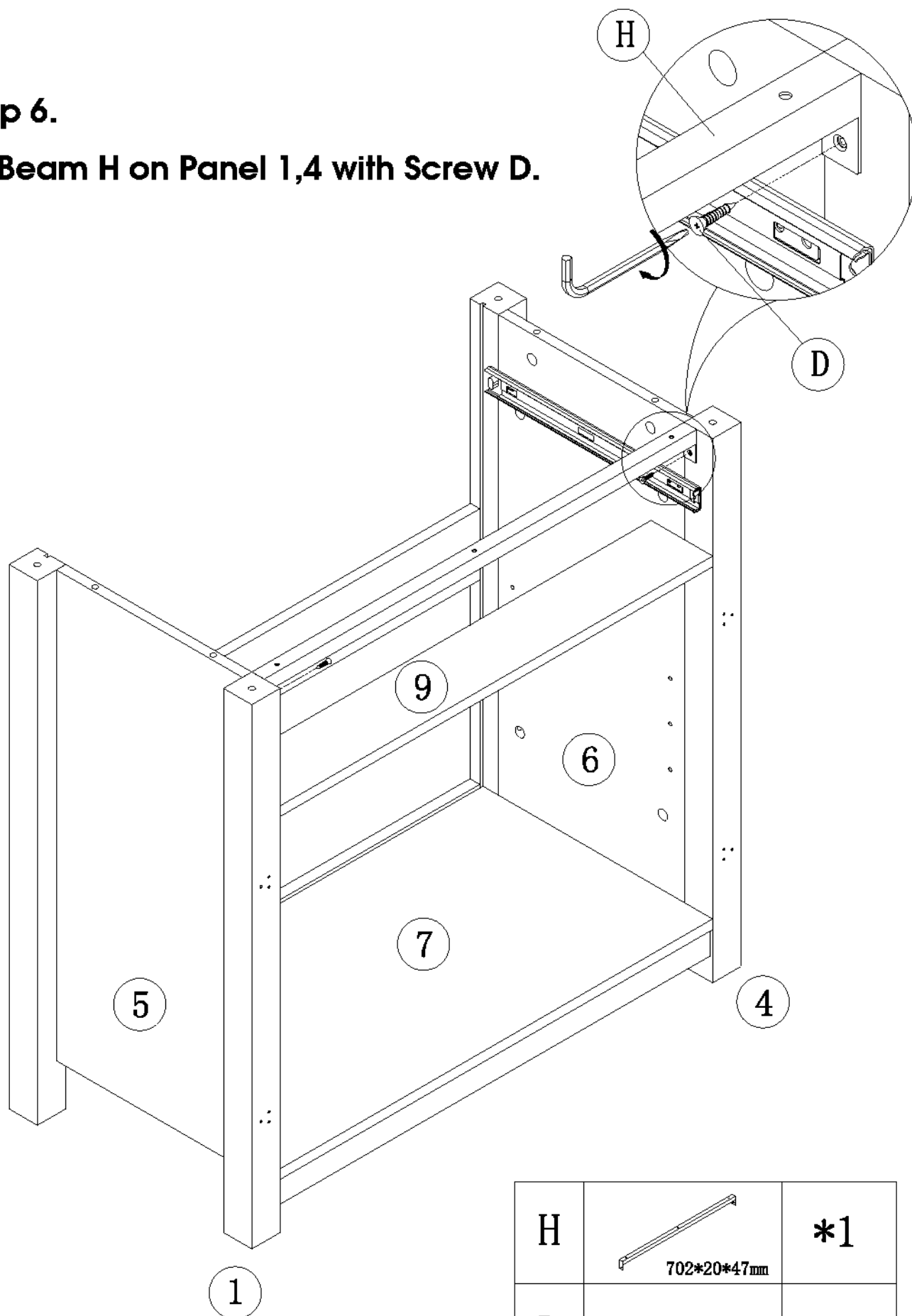
A		*14
B		*14



### Step 5.

**Connect Panel 7,8,9,10 to Panel 1,2,5 with Cam Coupling A&B;  
Connect Panel 7,8,9,10 to Panel 3,4,6 with Cam Coupling A&B.**

## Step 6.

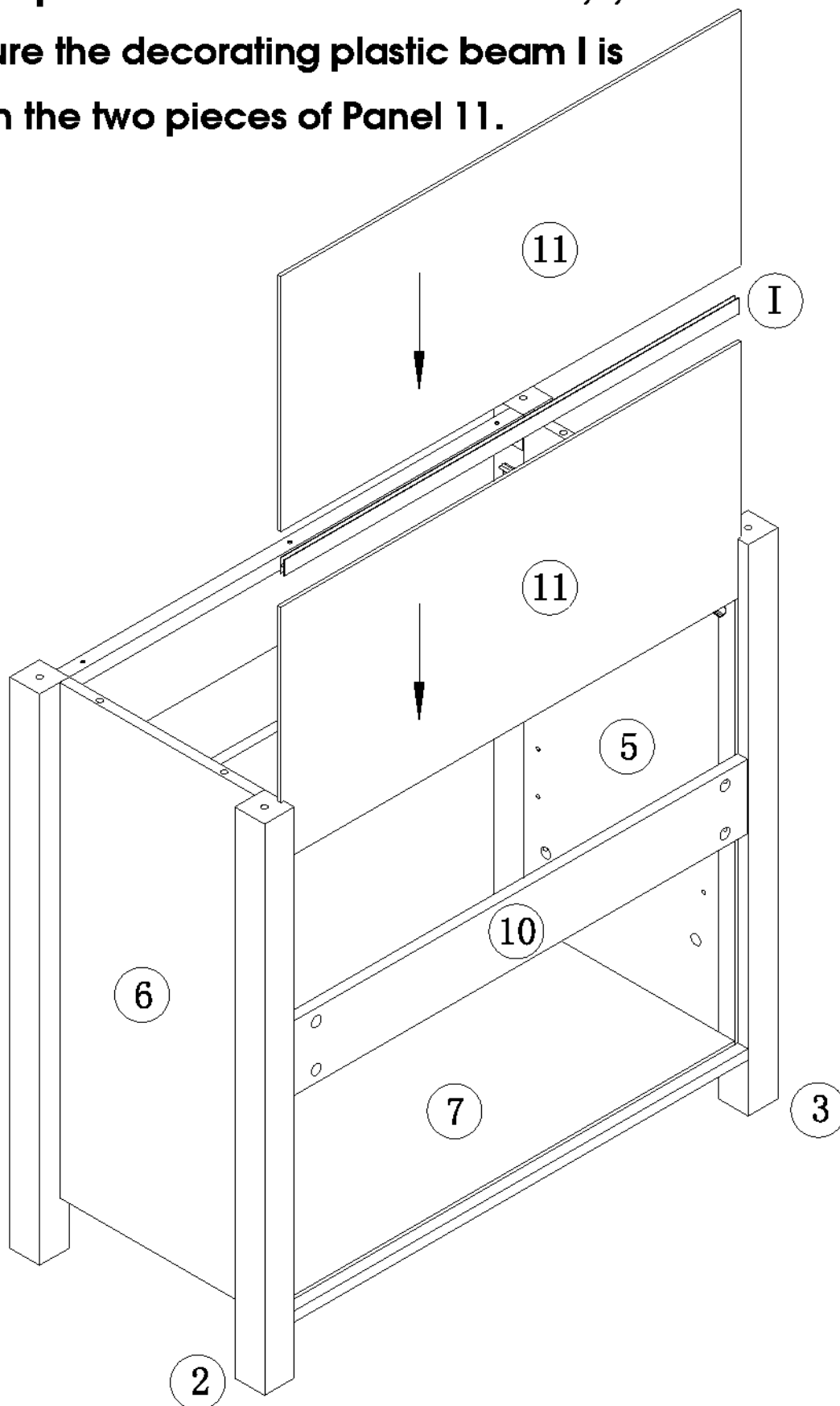
fix Beam H on Panel 1,4 with Screw D.

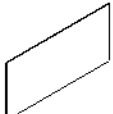


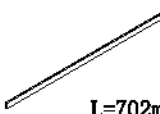
H	 702*20*47mm	*1
D	 3.5*14mm	*2

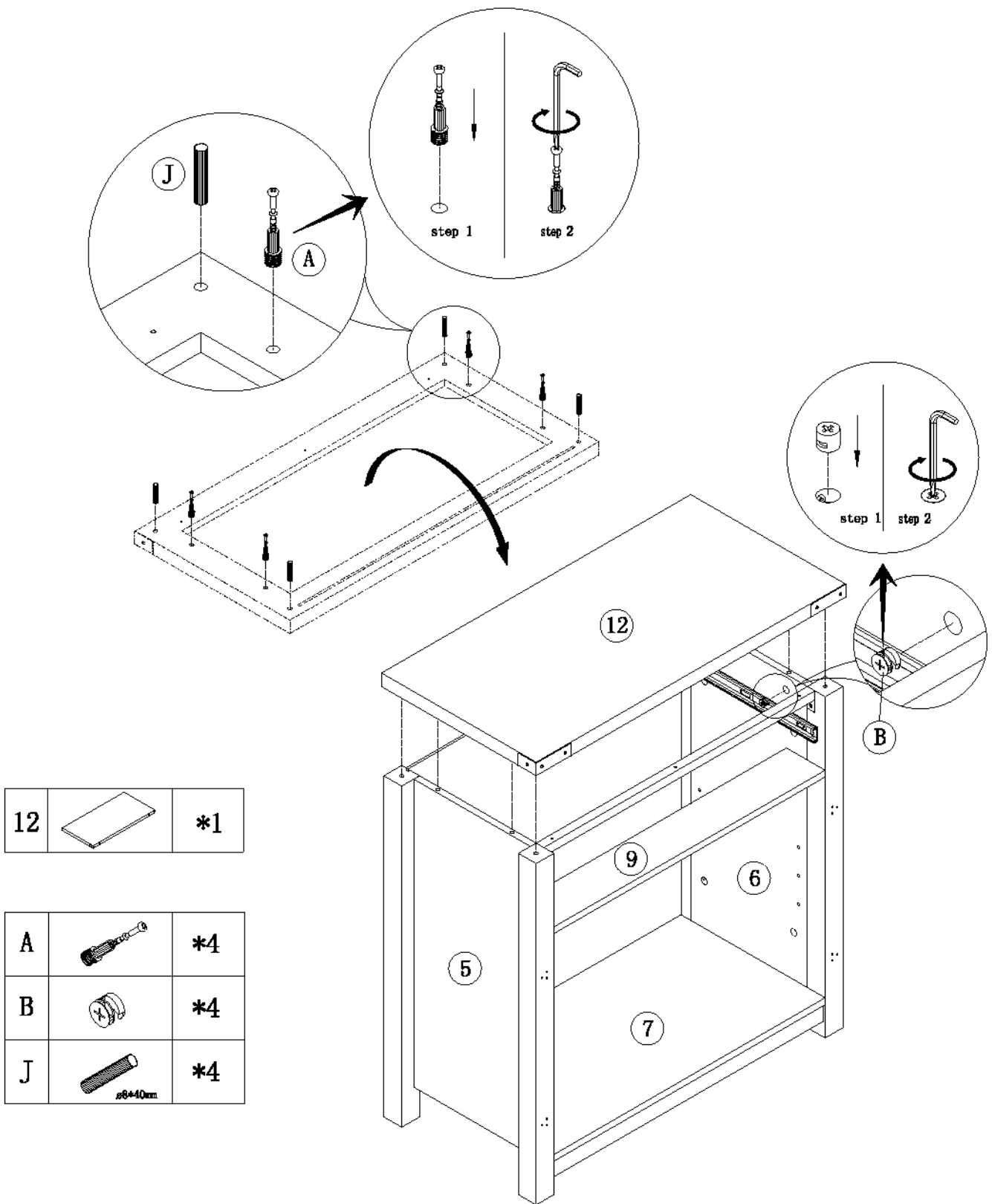
## Step 7.

Insert two pieces of Panel 11 into Panel 2,3;  
make sure the decorating plastic beam I is  
between the two pieces of Panel 11.



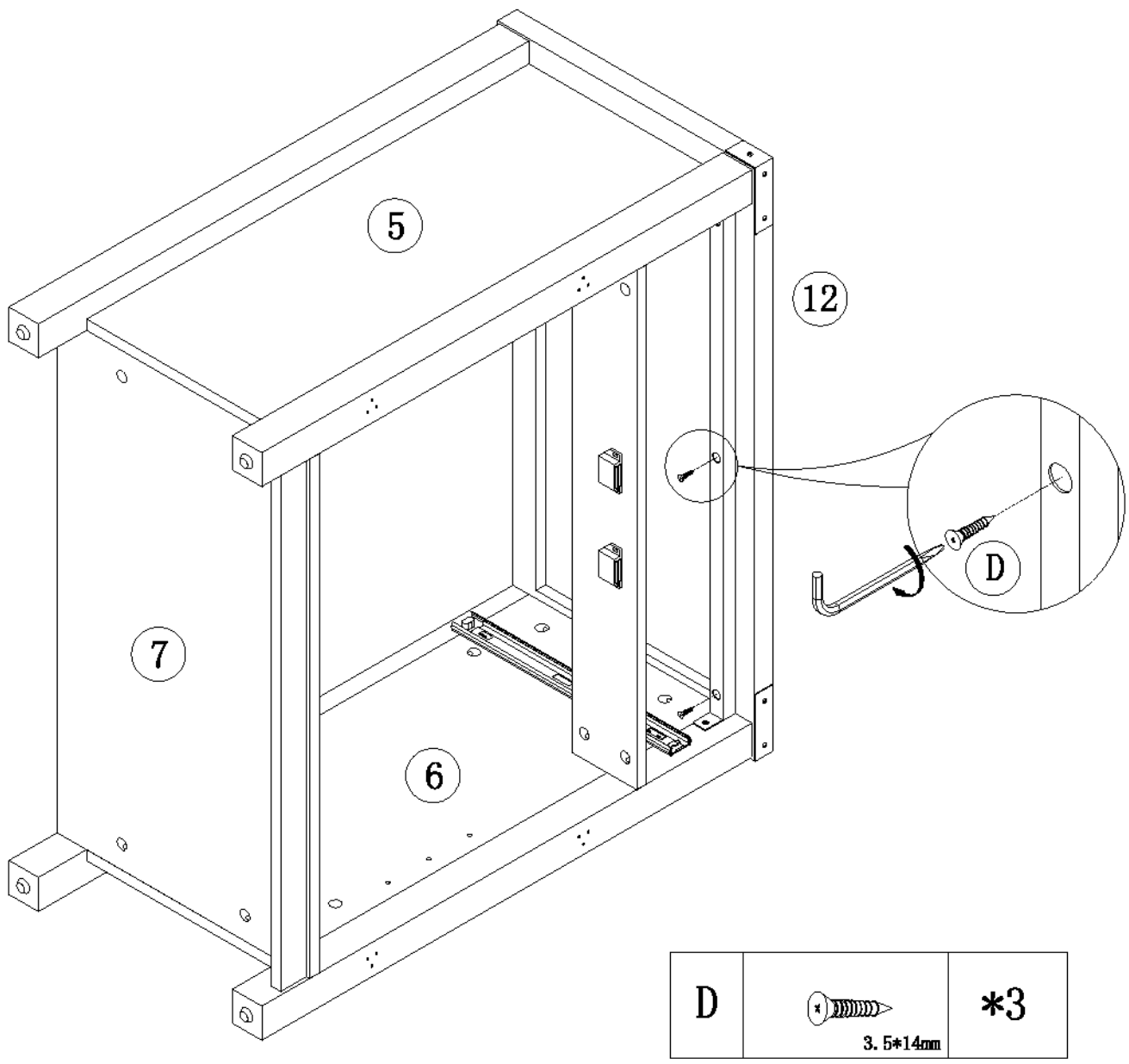
11		*2
----	---	----

I	 L=702mm	*1
---	---	----



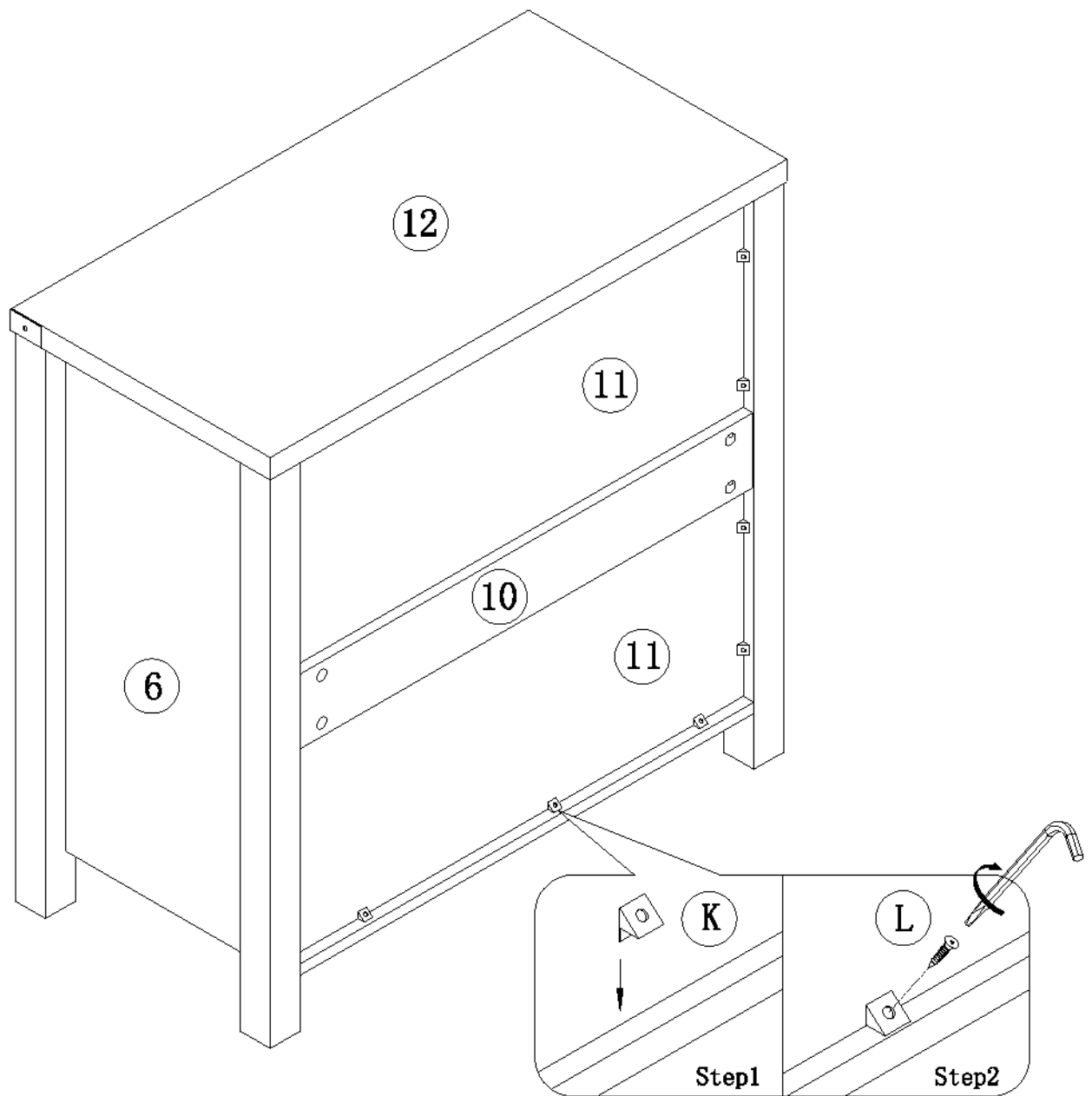
### Step 8.



put cabinet top Panel 12 on the cabinet body,  
and fix them with Cam Coupling A&B.



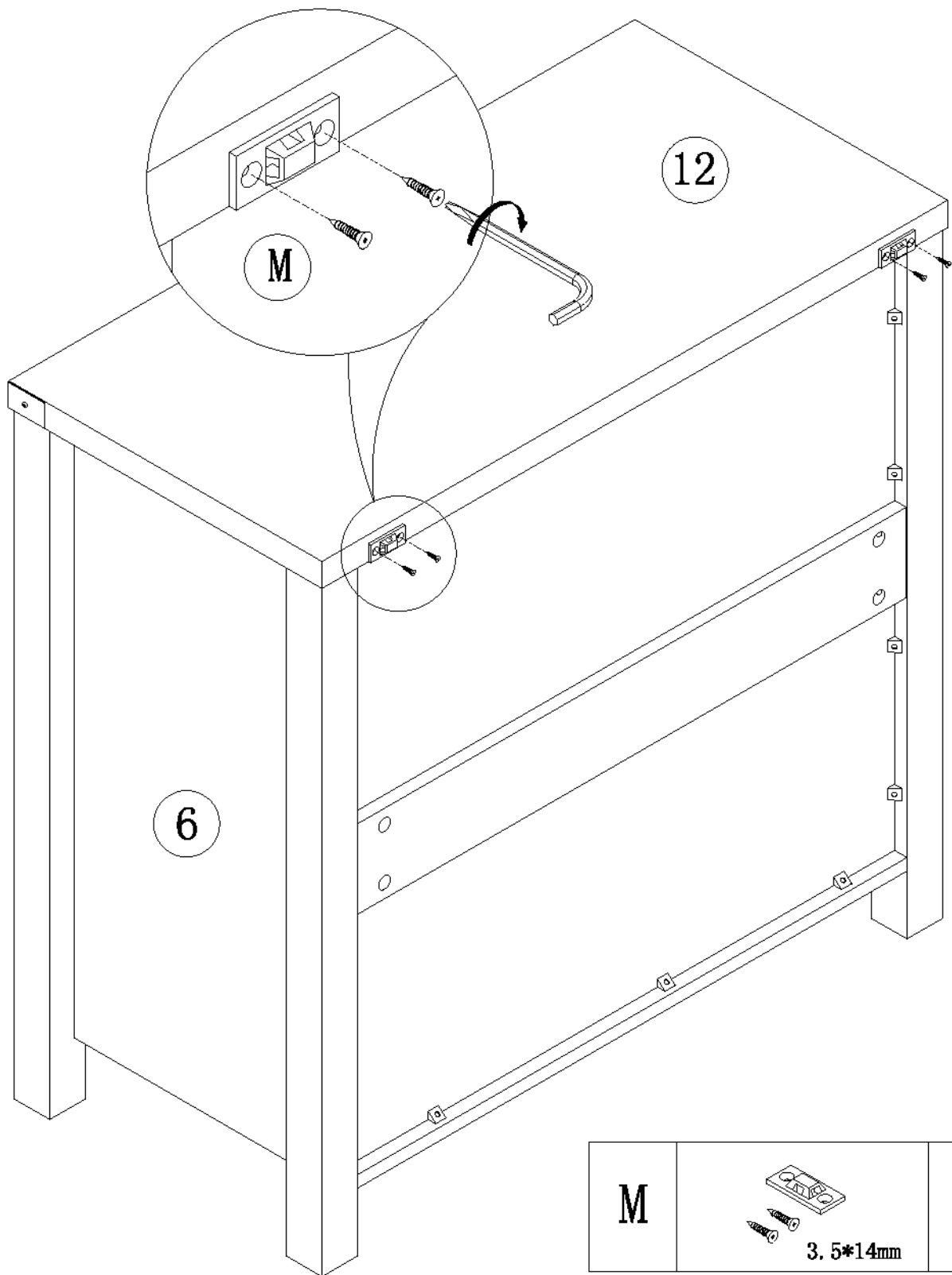
**Step 9.**

**Strengthen the beam H and the cabinet top panel 12 with screw D.**



K		*14
L	 3.0*14mm	*14

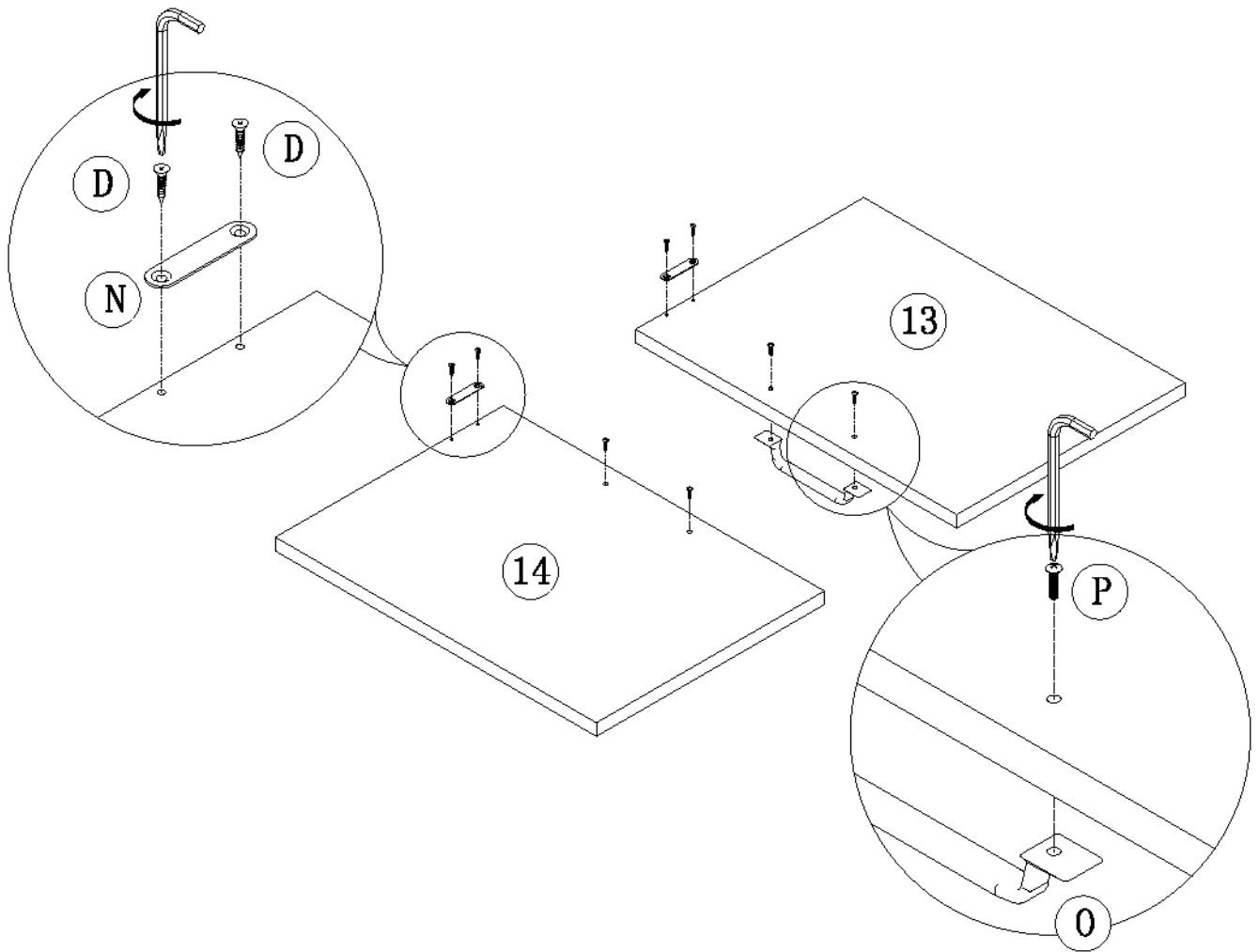
**Step 10.**  
**Strengthen two pieces of Panel 11**  
**with component K by screw L.**






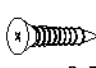


**Step 11.**

**fix M on panel 12 (on the background side).**



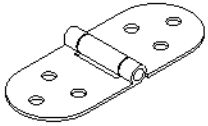
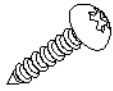


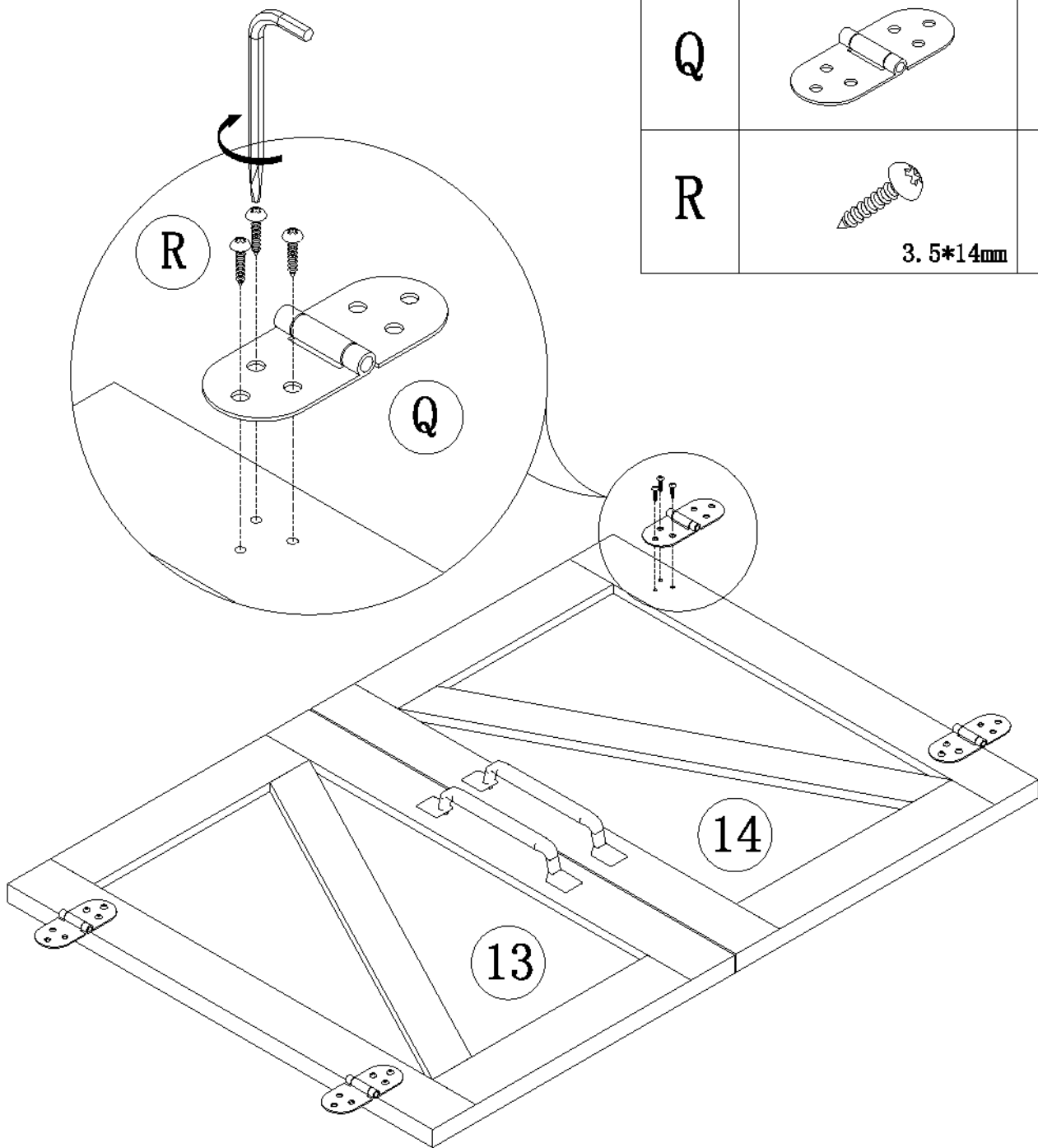
13		*1
14		*1

N		*2
D	 3.5*14mm	*4
O		*2
P	 4*20mm	*4

### Step 12.

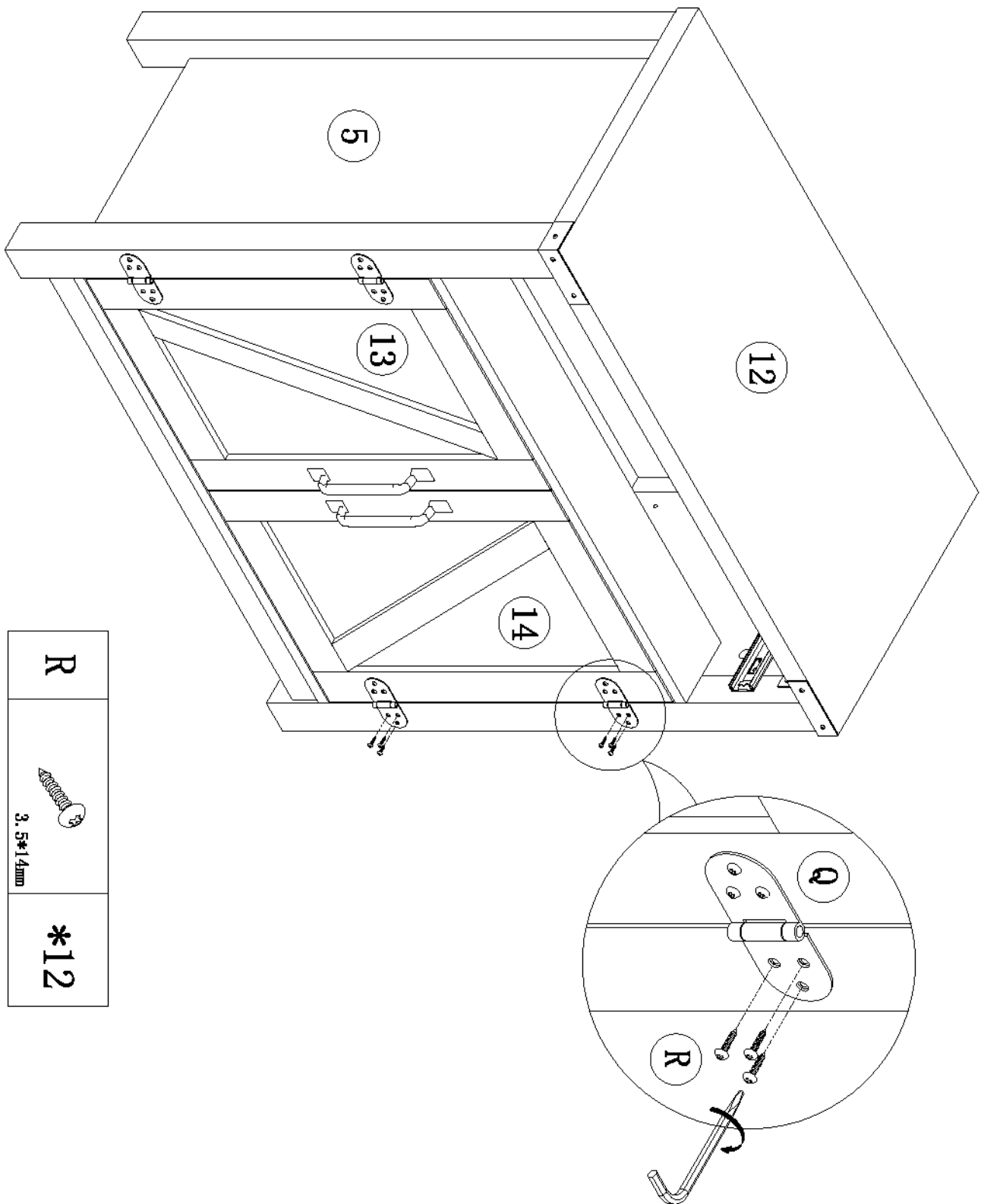
**Fix the Handle O on the doors Panel 13,14 with Screw P;  
fix the metal part N on the doors Panel 13,14 with Screw D.**


Q		*4
R	 3.5*14mm	*12



**Step 13.**

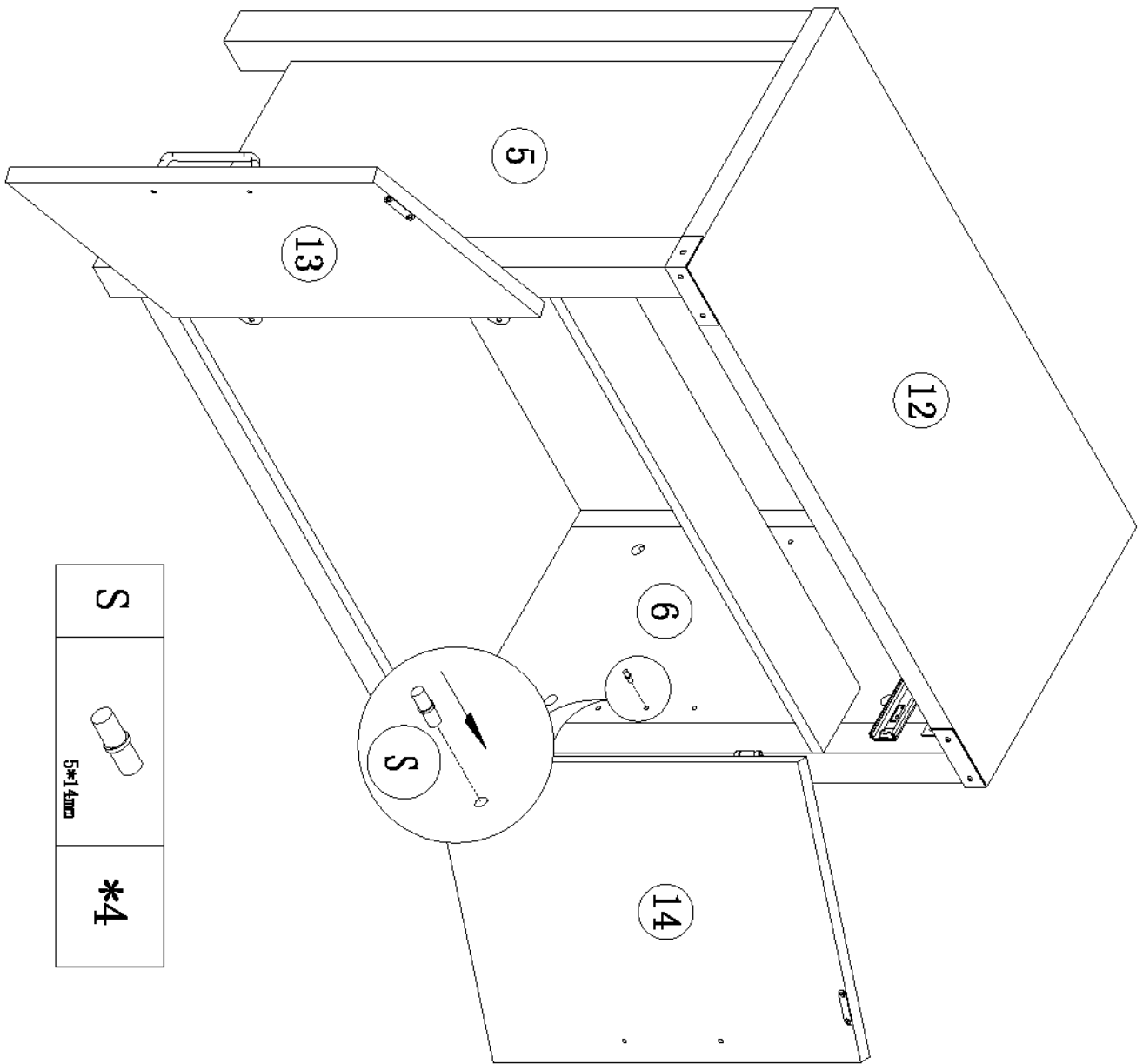
**Fix the Hinge Q on the doors Panel 13,14 with Screw R.**



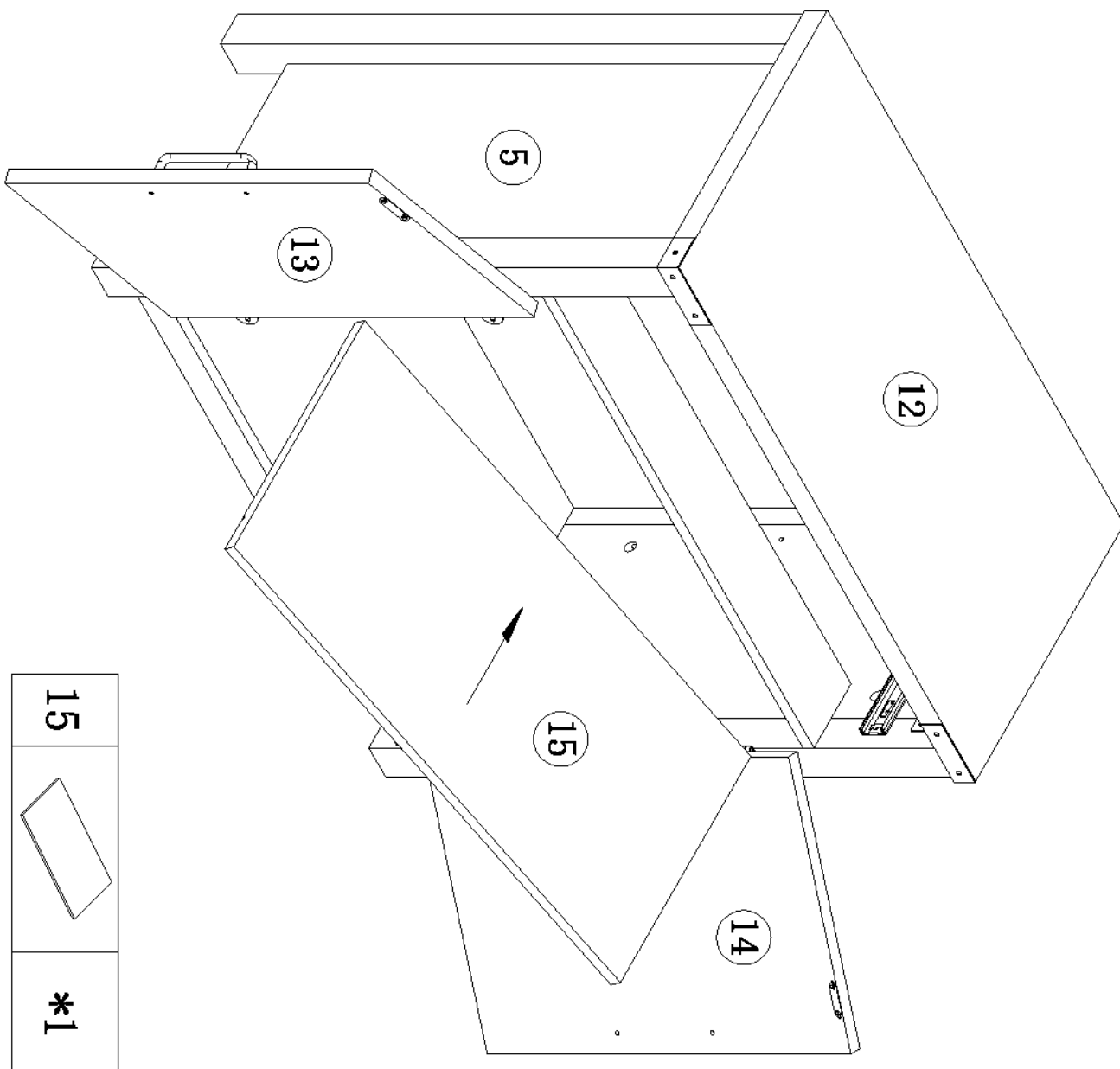
R		
	3.5*14mm	
		*12

### Step 14.

**Connect the doors Panel 13,14  
to the cabinet body with Screw R.**

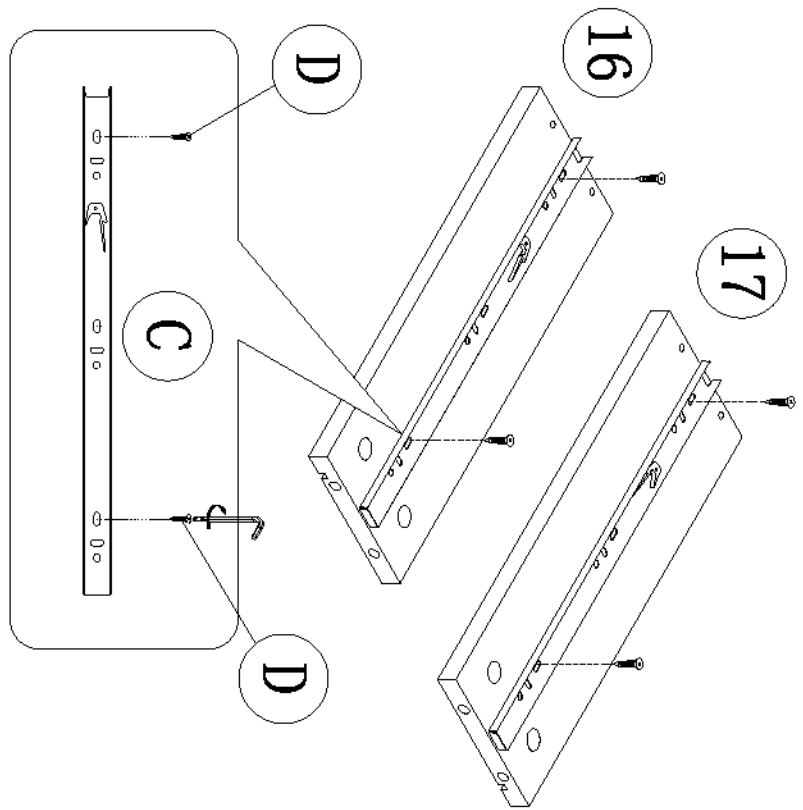


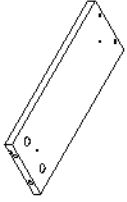
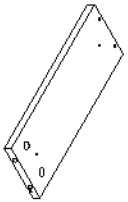
**Step 15.**  
**Insert metal part S into Panel 5,6.**


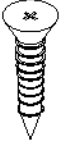


**Step 16.**

**Put on Panel 15 on the metal part S.**

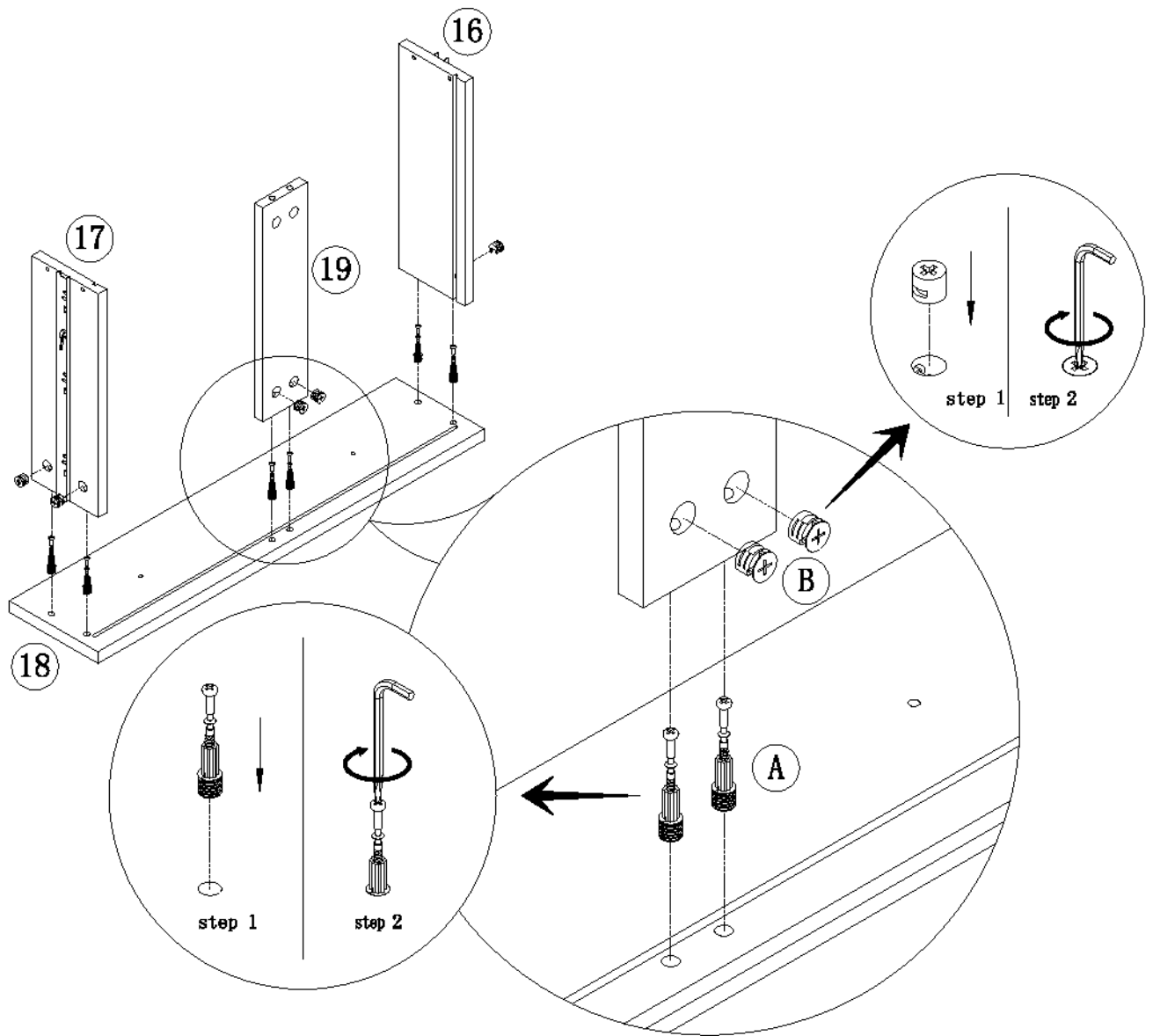



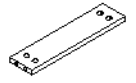
16		*1
17		*1



C		*2
D	 3.5*14mm	*4

**Step 17.**

**fix guide rail C on Panel 16, 17 separately with Screw D.**

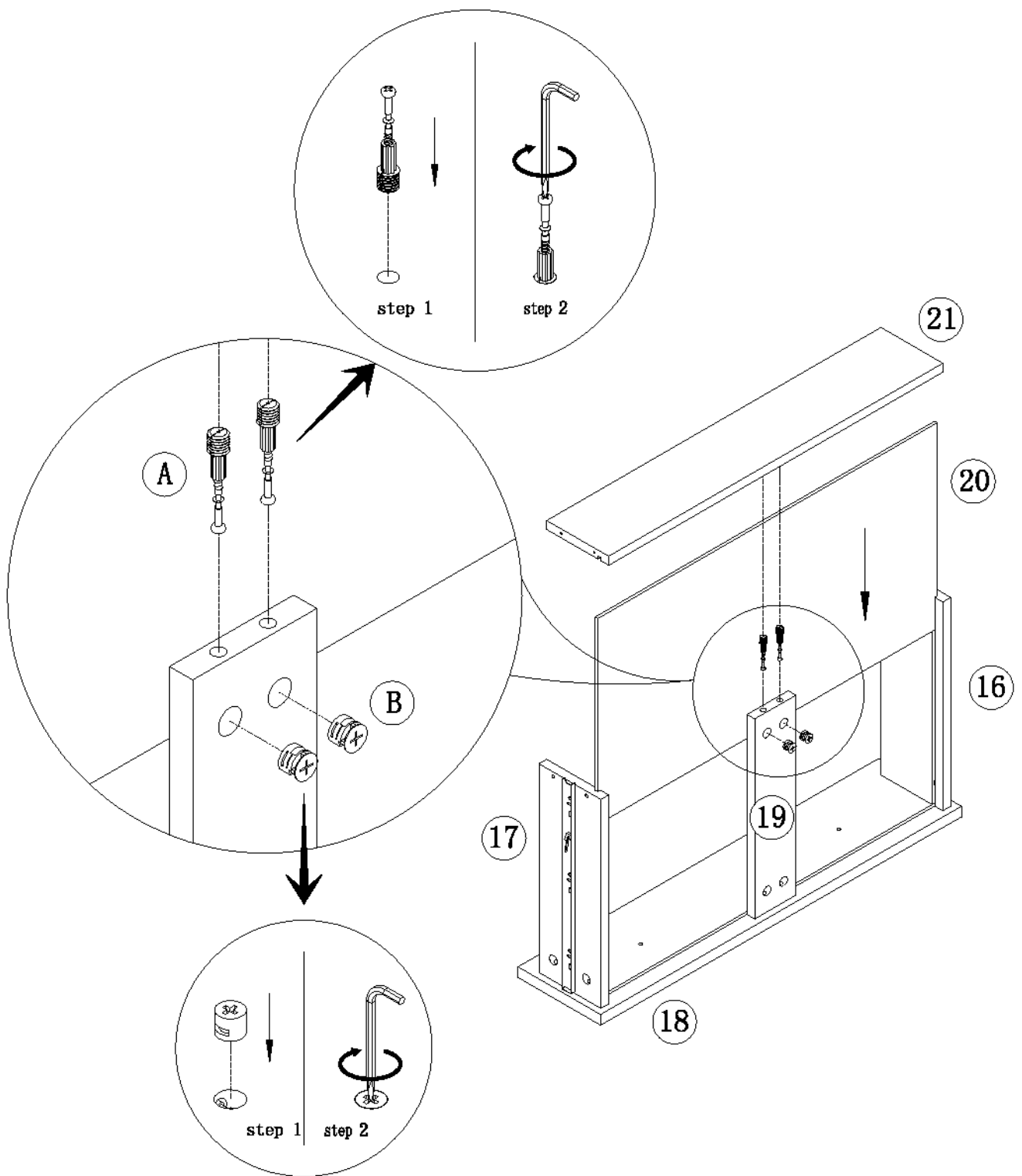


18		*1
19		*1

A		*6
B		*6

### Step 18.

**Connect Panel 16,17,19 to Panel 18 with Cam Coupling A&B.**



20		*1
21		*1


A		*2
B		*2

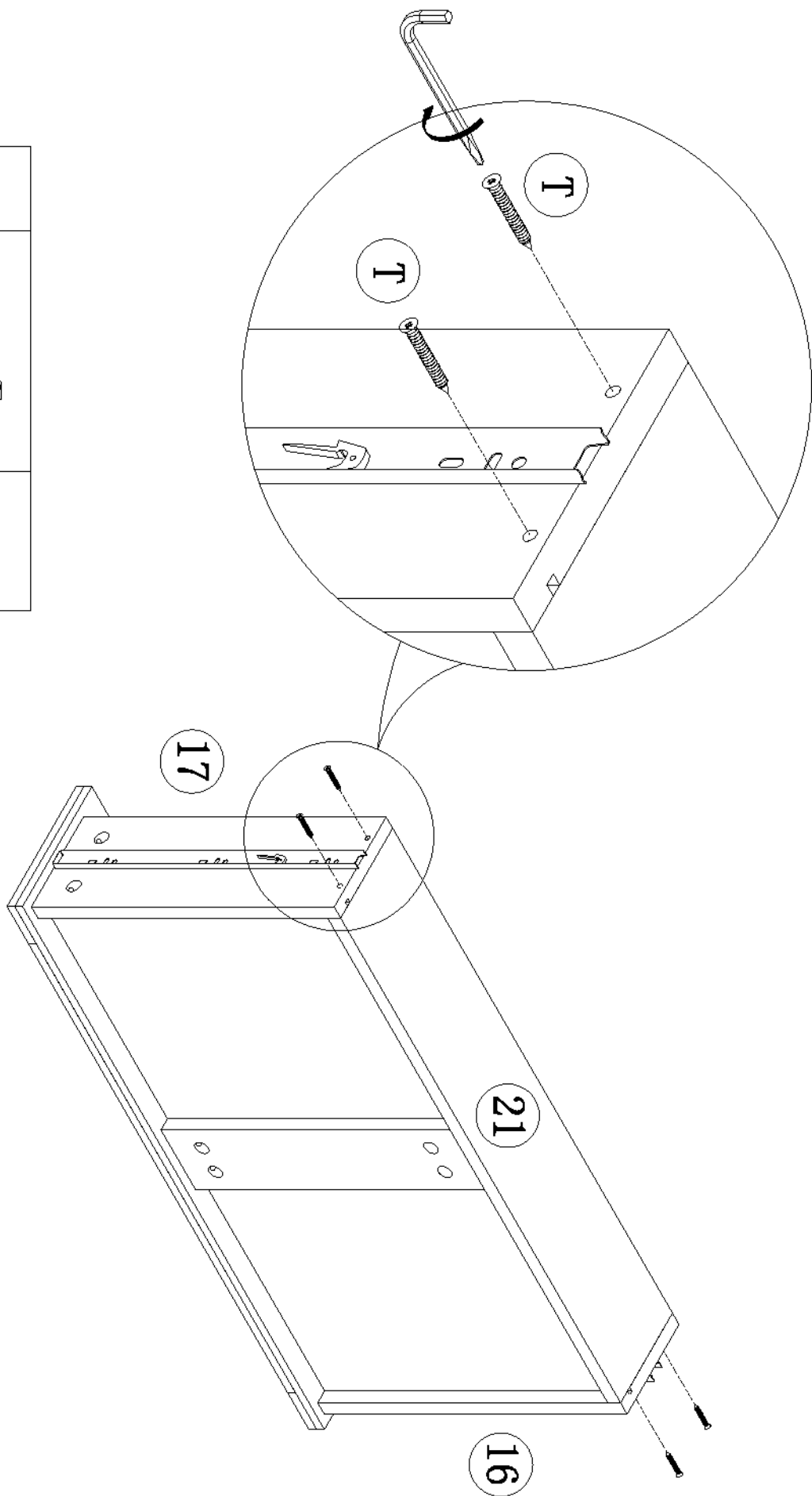
### Step 19.

**Insert Panel 20 into Panel 16,17;**

**and then connect Panel 21 to Panel 16,17 with Cam Coupling A&B.**

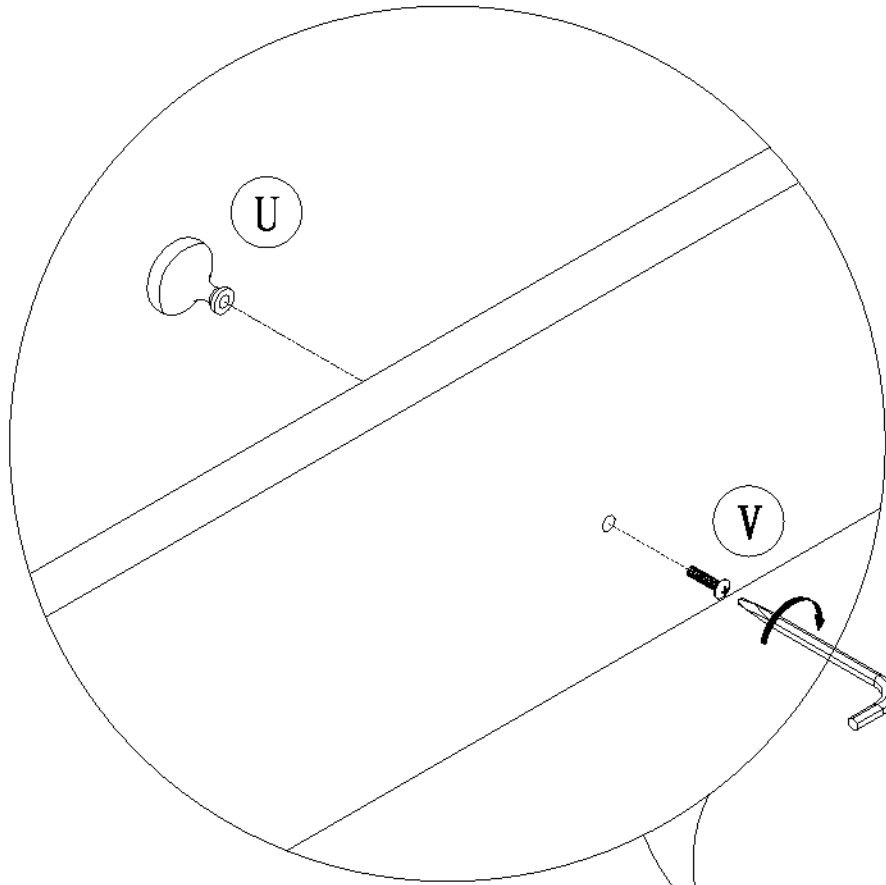




T		*4
	3,5*35mm	

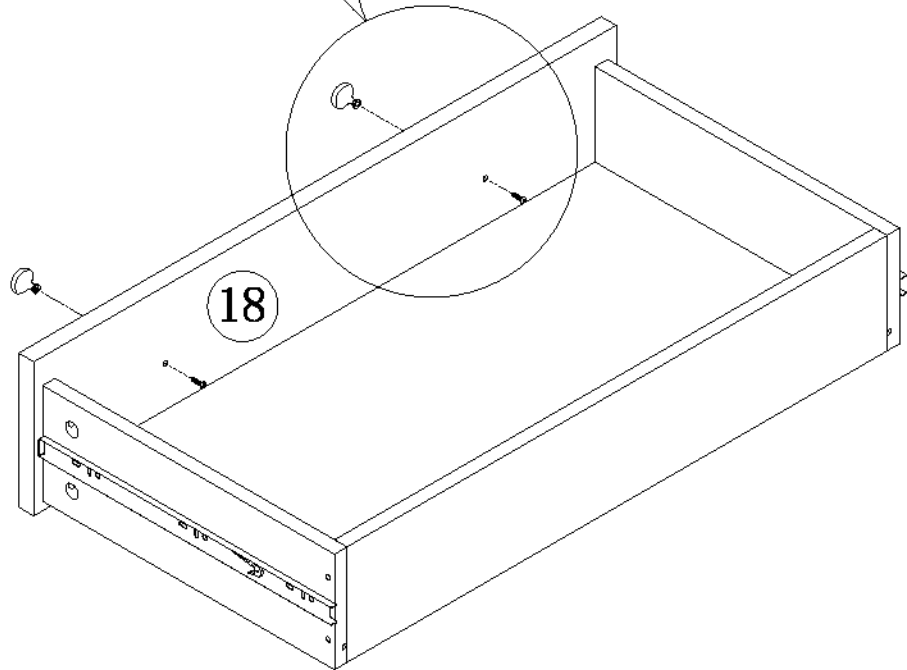


**Step 20.**

**Strengthen Panel 21 and Panel 16,17 with Screw T.**

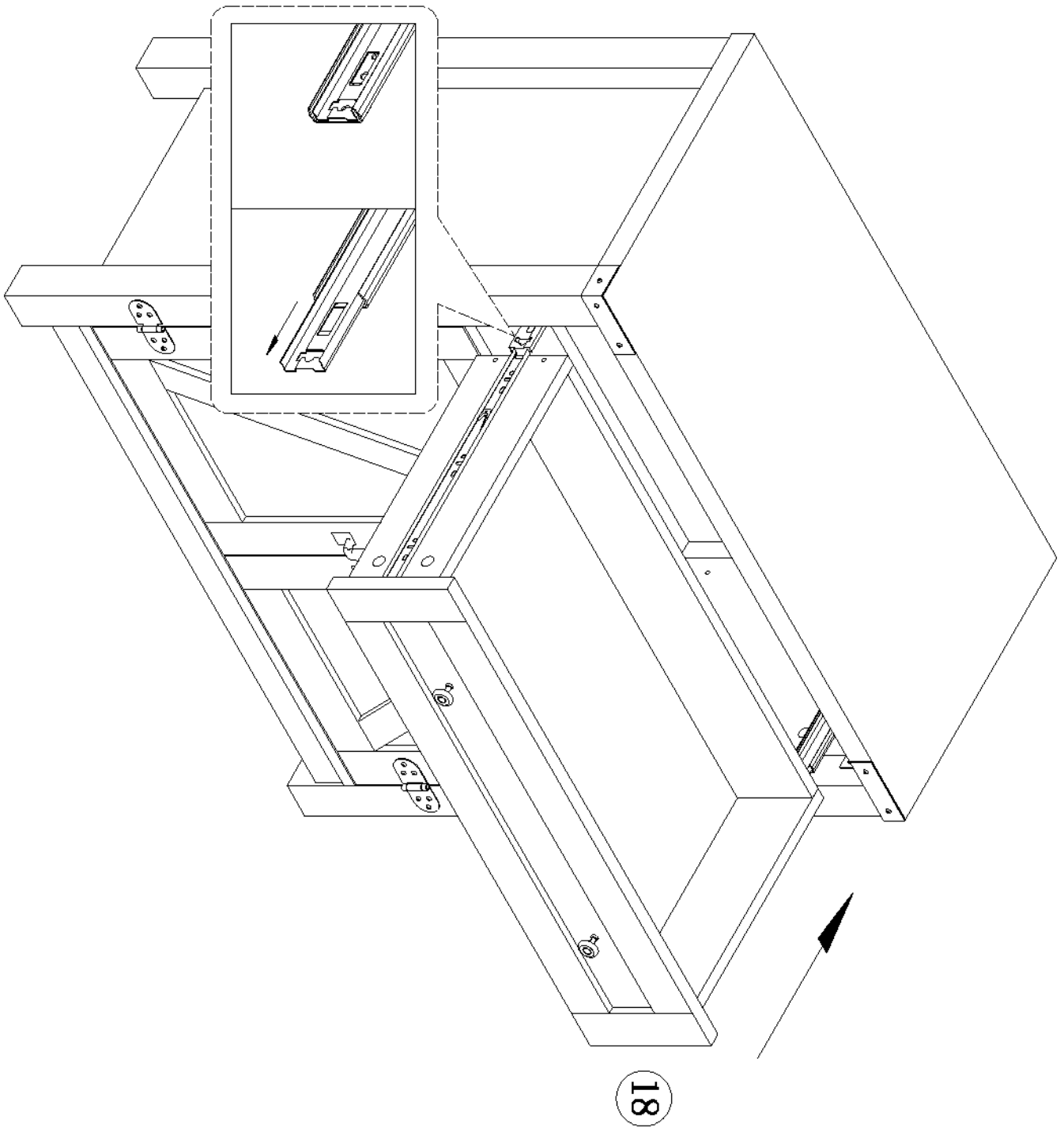


U		*2
V	 4*12mm	*2



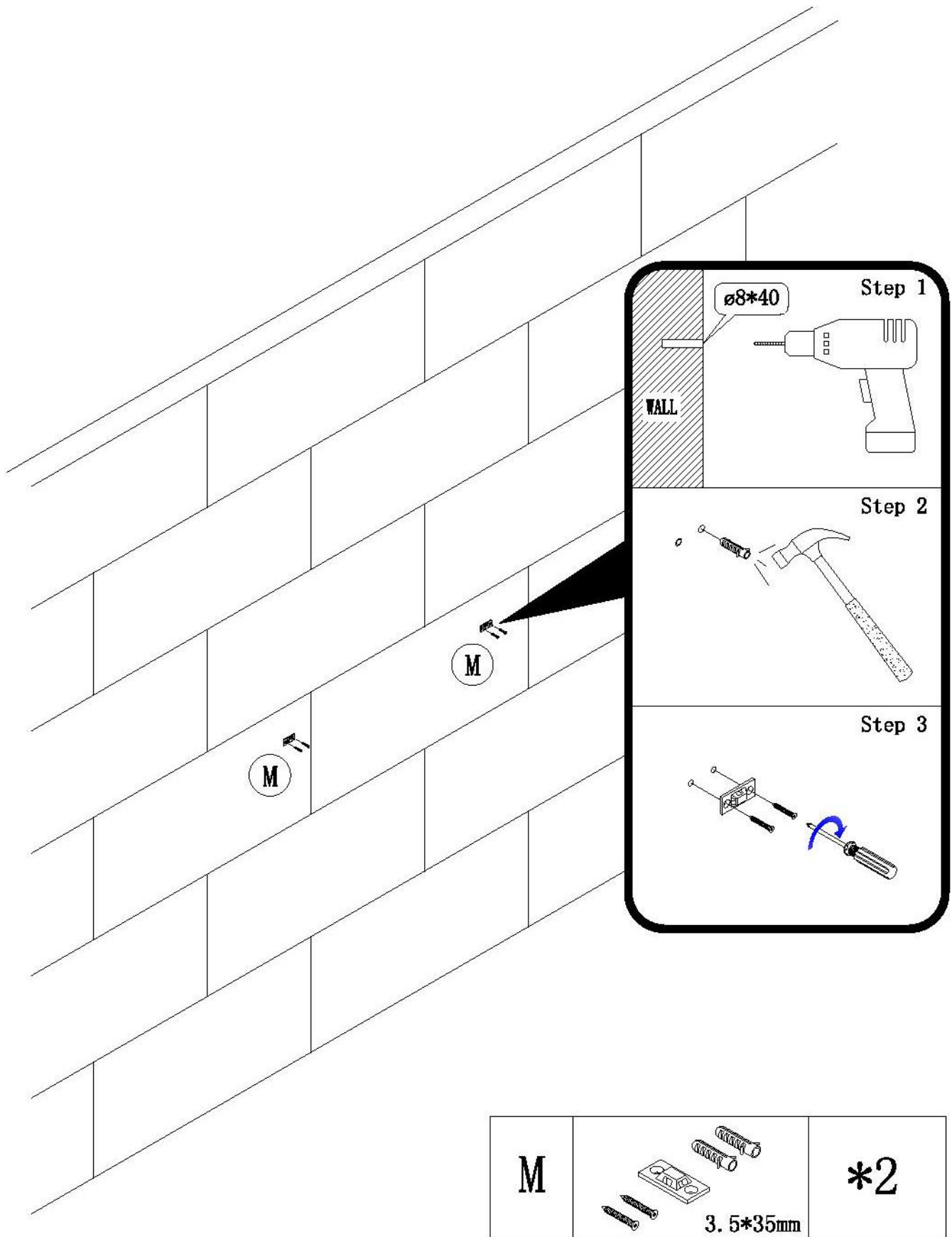
**Step 21.**

**Put on Handle U on Panel 18 with Screw V.**



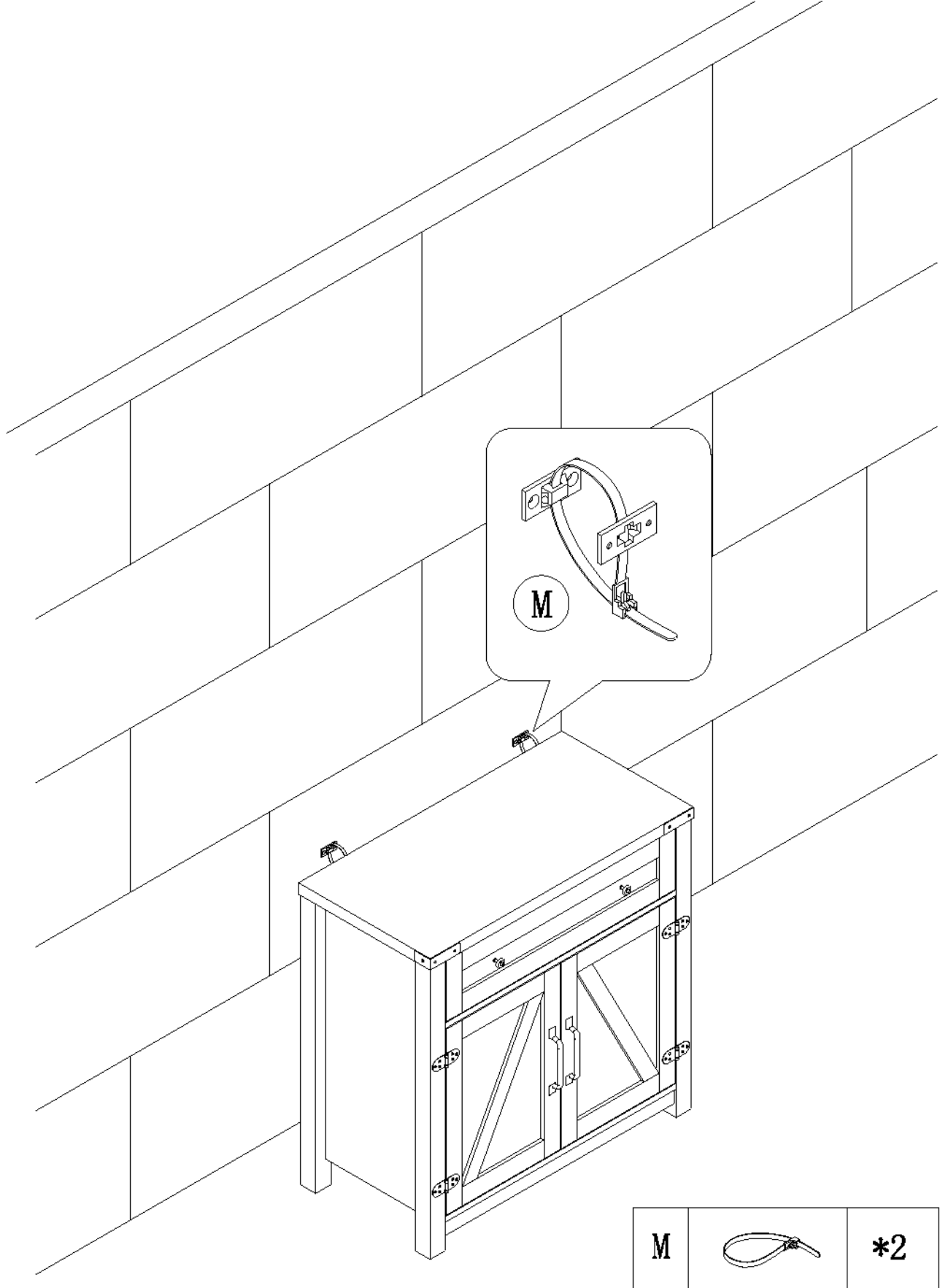
**Step 22.**

**Insert the drawer into the cabinet body.**



### Step 23.

Drill holes ( $\phi 8 \times 40$ ) on the wall at proper positions with electric drill, fix M on the wall with hammer and screwdriver.

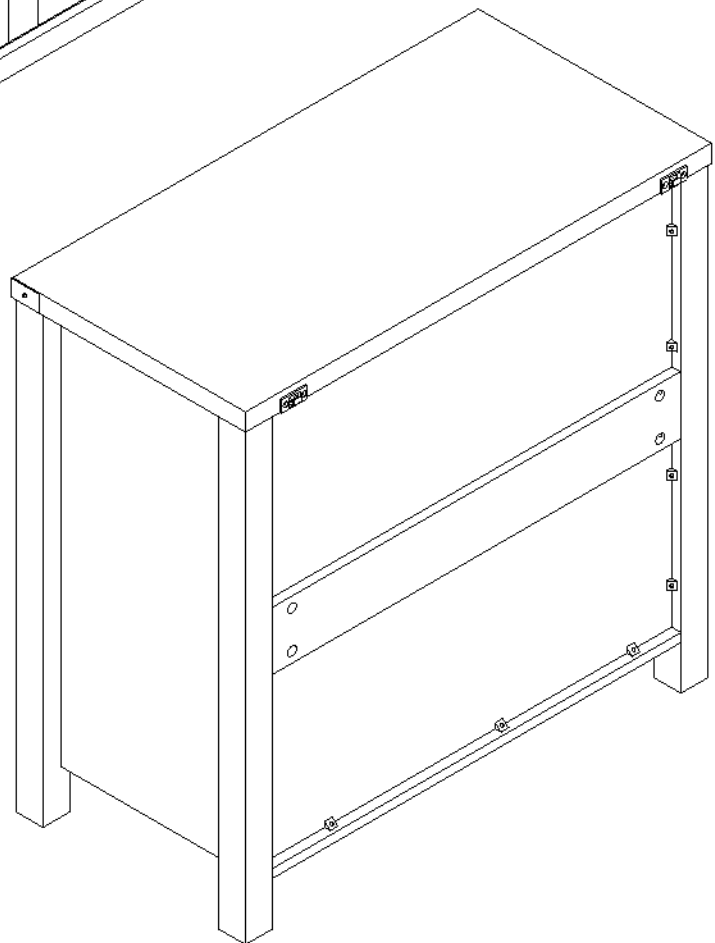
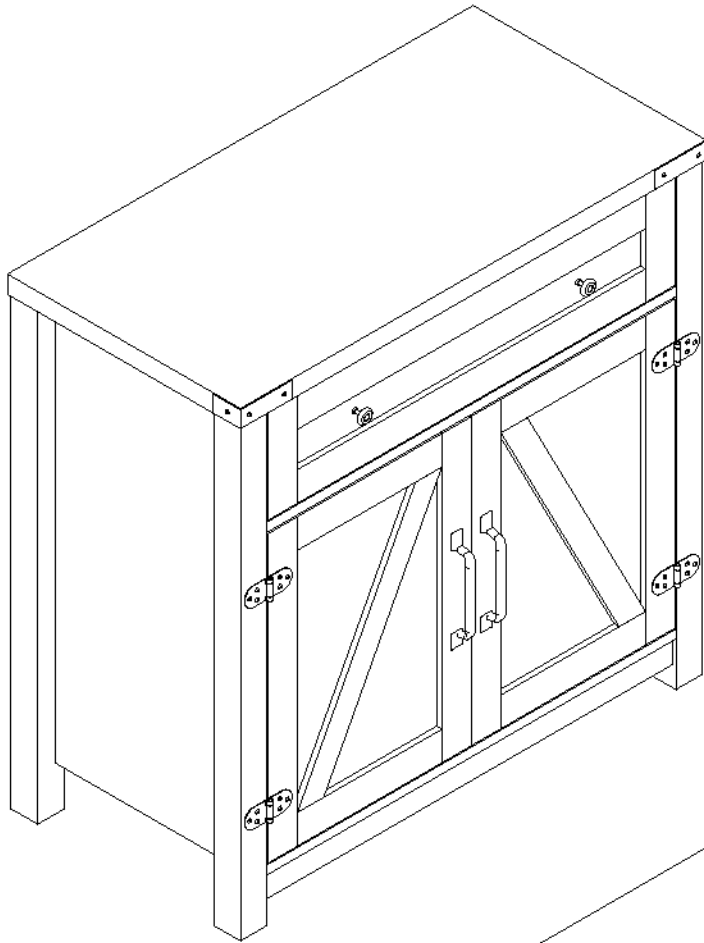


### Step 24.

Using plastic ribbon M to tie the cabinet on the wall.

It will prevent the cabinet from falling.

# Enjoy Your Life



**CD-070**