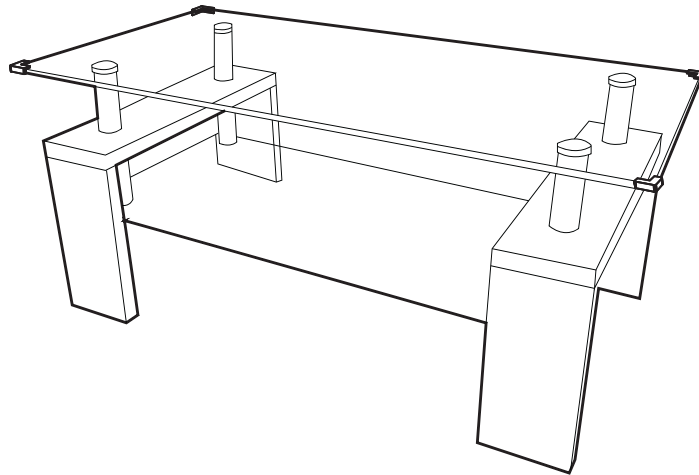


Assembly Instructions

Caution:Pls read the AI before you proceed.

COFFEE TABLE



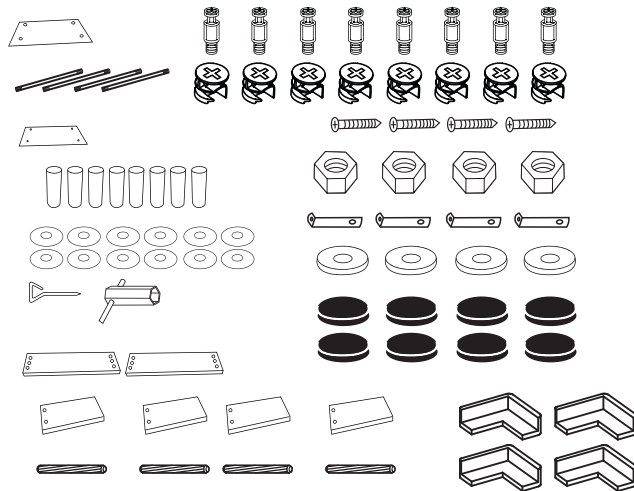
CAUTION:






Pls follow up the AI , when assemble the table leave your child away

Parts List

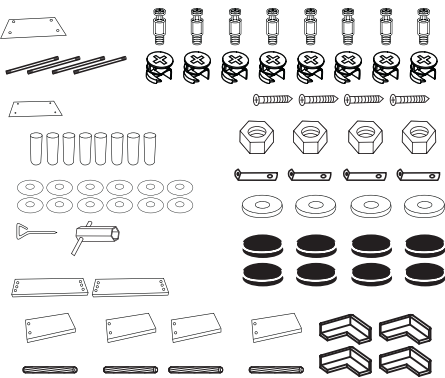
NO.	Picture	Description	Qty
A		Tempered glass table top	1
B	8X240mm	Pulling rod	4
C		Tempered glass	1
D	$\Phi 38 \times 100 \text{mm}$	Stainless steel pipe	8
E	M8X45mm	Gasket	12
F	M100X33mm	Allen key	1
G	M24X5mm	Screw	8
H	M11X9mm	Eccentric cam lock fasteners	8
I	M4X16mm	Screw	4
J	M8X49mm	Box Spanner M10	1
K	M8X15mm	Nut	4
L	60X19mm	Connection	4
M	$\Phi 19 \times 3 \text{mm}$	Plastic gasket	4
N	$\Phi 15 \times 1.5 \text{mm}$	Feet pad	8
O		Board	2
P		Board	4
Q	M8X30mm	Connection	4
R		Plastic protection corner	4

Assembly Preparation Before Beginning Assembly



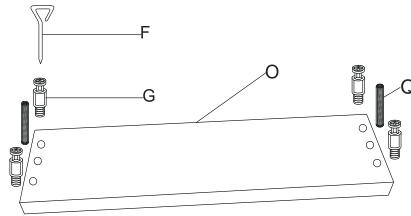
-  • Read instructions, cover to cover-
-  • Have 2 adults on hand for assembly-
-  • Do not assemble on flooring or carpet-
-  • Assemble on a clean non- marring surface (packing foam)-
-  • Save all packaging until finished-

Step 1

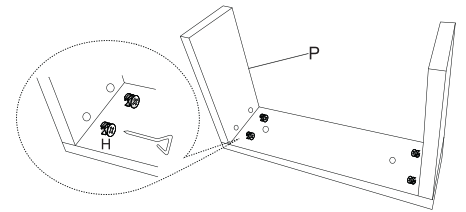


Unpack and place all parts on a clean , soft surface

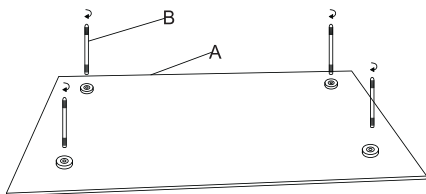
Step 2



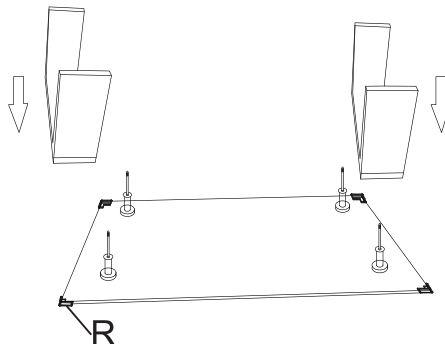
Step 3



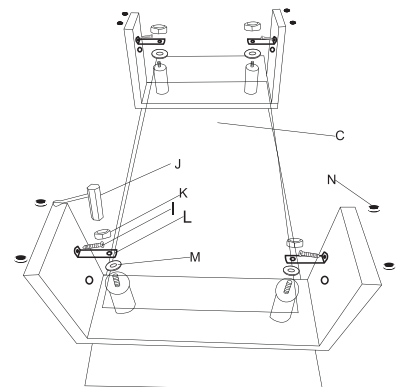
Step 4



Step 6



Step 7



Step 5

