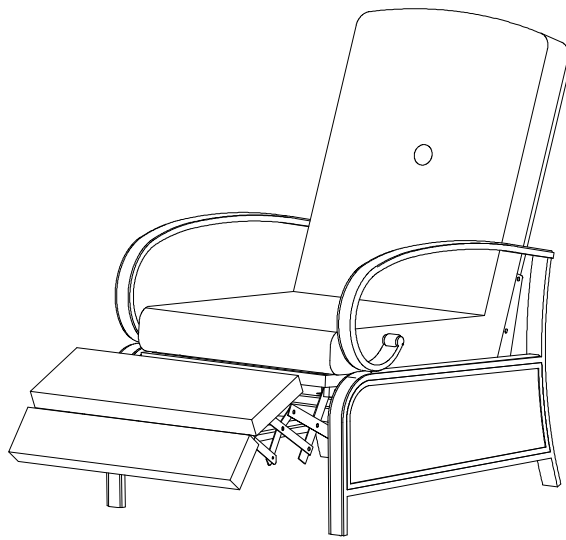


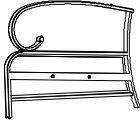

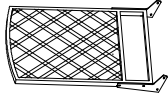
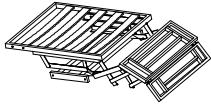

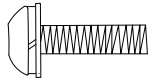

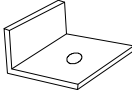

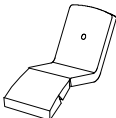
# Patio Recliner Chair

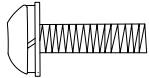



**Read the instructions before use of this product.**

Please keep this instruction manual for future reference.

## PARTS & HARDWARE LIST

PART	FIGURE	DESCRIPTION	QTY
A		Right Arm	1
B		Left Arm	1
C		Back Panel	1
D		Seat Panel	1
E		Rail	1
F		Bolt M6*18	8
G		Bolt M6*30	4
H		Washer	4
I		Allen Key	1
J		Cushion	1

EXTRA PARTS			
PART	FIGURE	DESCRIPTION	QTY
F		Bolt M6*18	1
G		Bolt M6*30	1

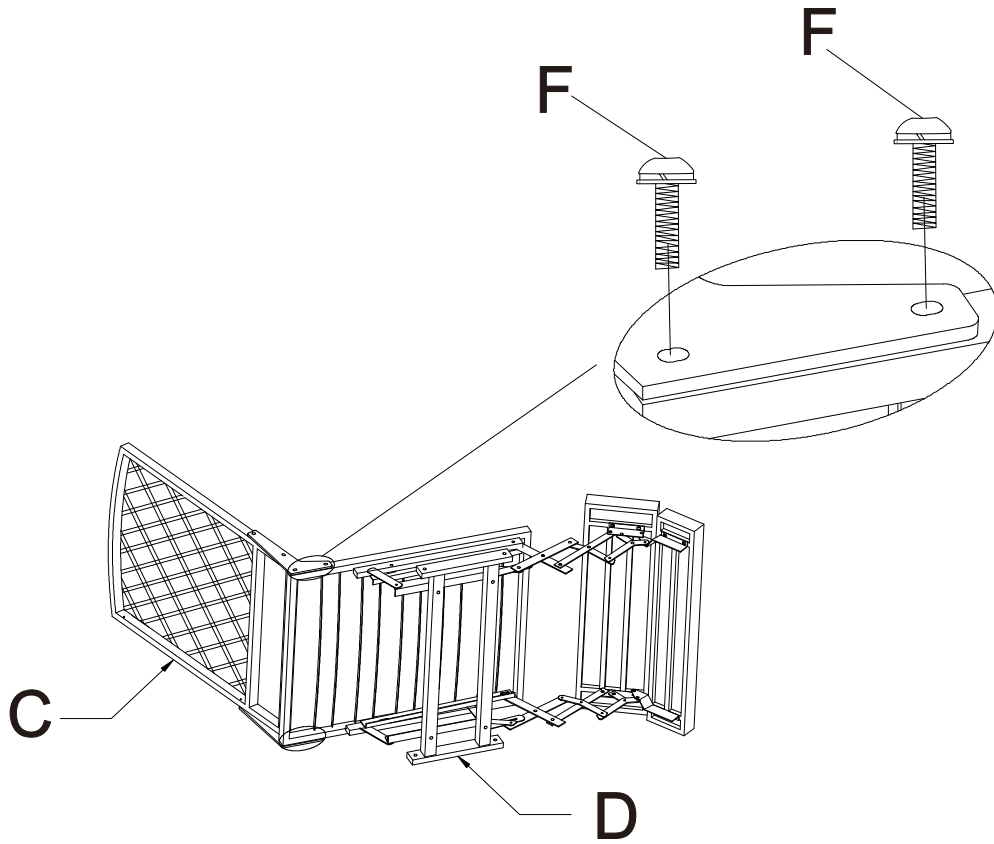
**ATTENTION:**

Keep children away during assembly. This item contains small parts that can be dangerous for children. Children should always be under direct adult supervision while using this product. Do not discard any of the packaging until you have checked that you have all of the parts and fittings required.

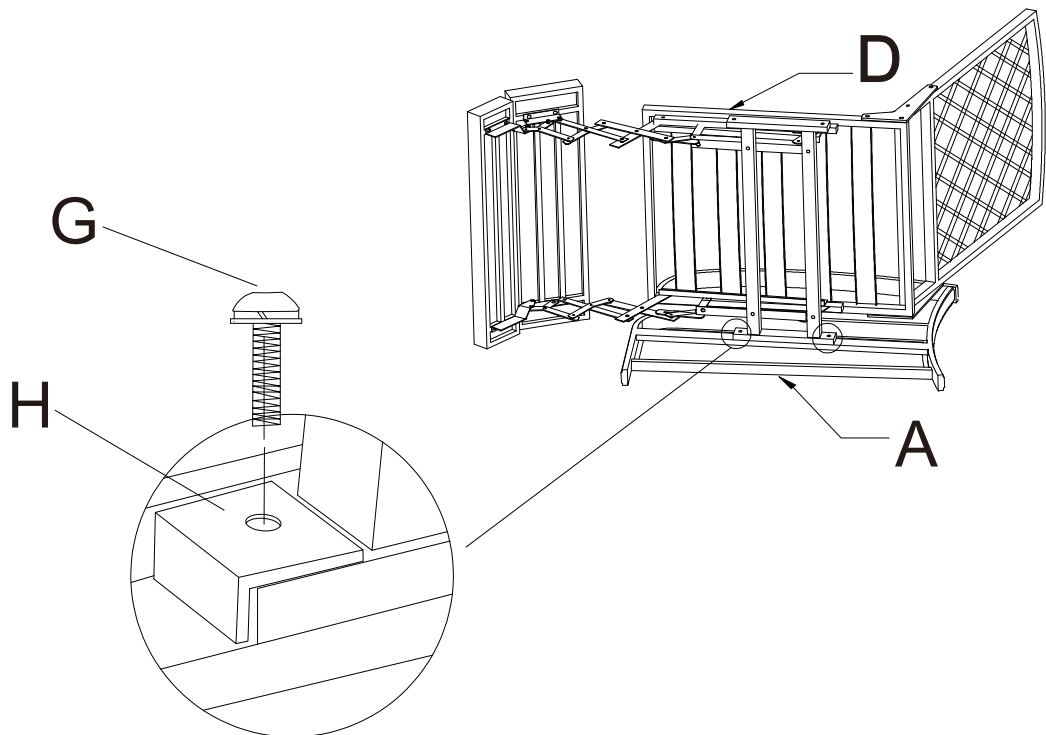
Carefully remove the contents from the package. If any parts are missing, do not attempt to use the product until they have been obtained.

Make sure that each bolt needed for all steps matches the corresponding figure to ensure proper assembly.

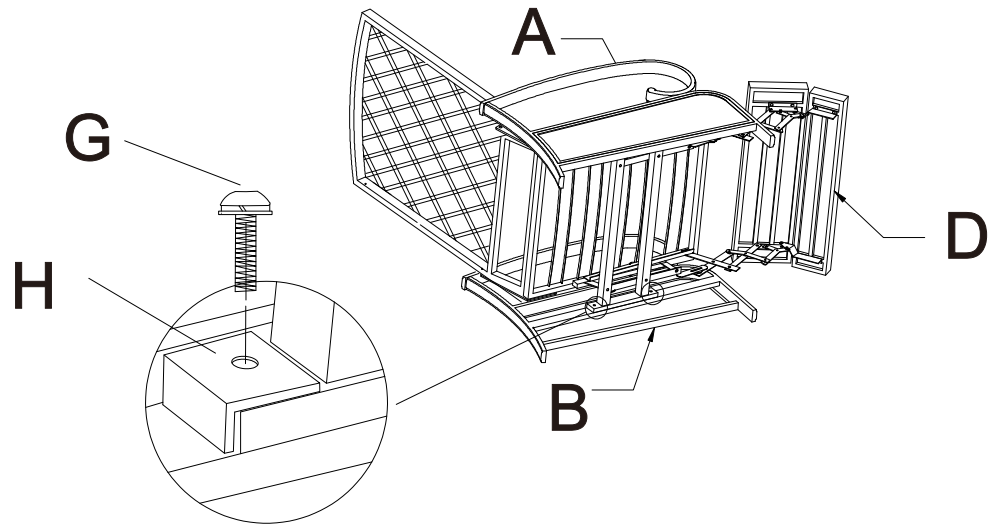
STEP 1: Attach the seat panel ( D ) to back panel(C) using bolts ( F ).  
Please do not fully tighten all bolts until unit is fully assembled.



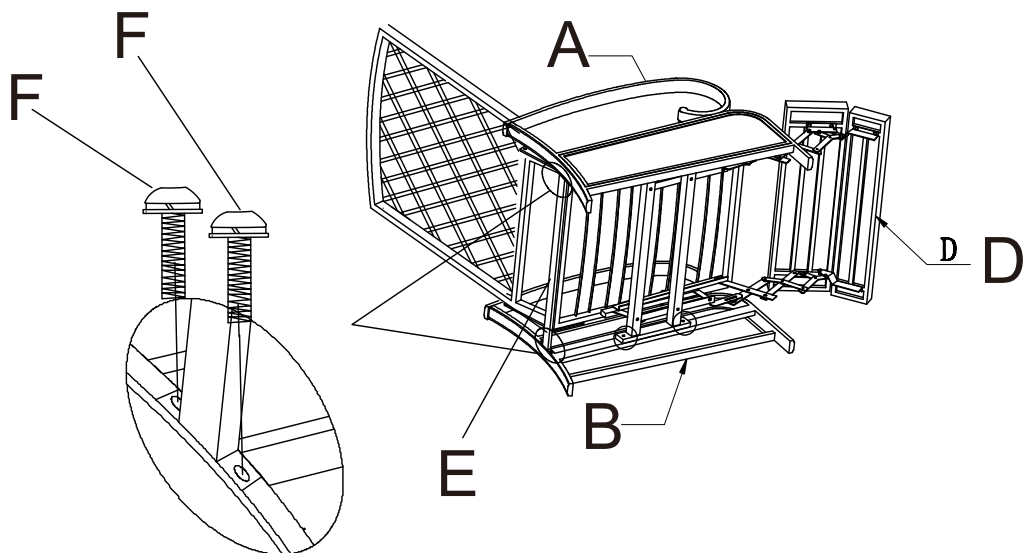
STEP 2: Attach the right arm ( A ) to seat panel using washers ( H ) and bolts ( G ).  
Please do not fully tighten all bolts until unit is fully assembled.



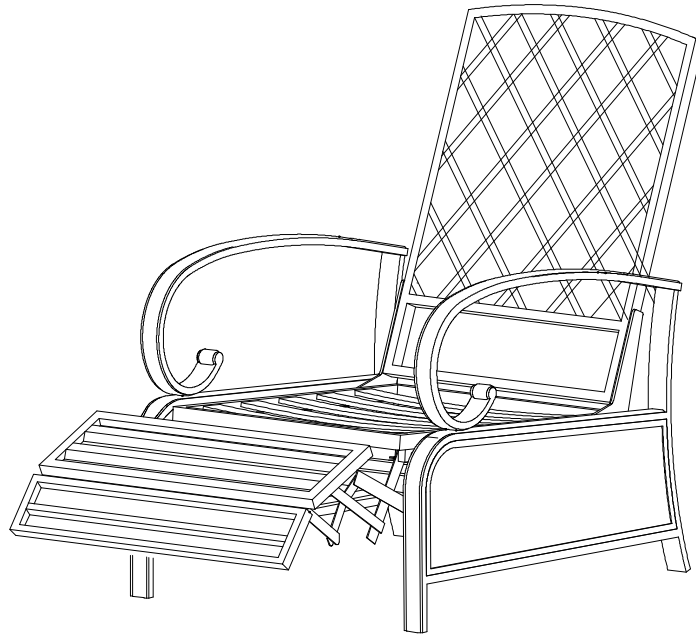
STEP 3: Attach the left arm (B) to seat panel using washers (H) and bolts (G).  
Please do not fully tighten all bolts until unit is fully assembled.



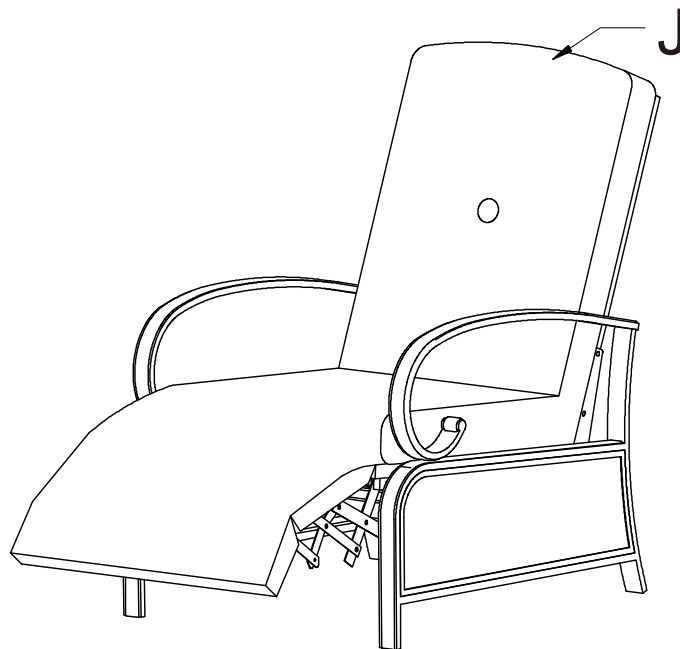
STEP 4: Attach rail (E) to back panel using bolts (F).  
Please fully tighten all bolts at this time.



STEP 5 : Carefully turn the seat to upright position.



STEP 6: Place seat cushion (J) on the seat.



## Cleaning and Maintenance

Clean frame with mild soapy water, rinse thoroughly. Dry frame parts completely. Do not use bleach, acid, or other solvents on the fabric and metal parts.

We recommend the use of furniture covers to protect the recliner chair when not in use.

Inspect and tighten all bolts on a regular basis to ensure proper performance and safety.

In order to prolong the life and beauty of your recliner chair, we recommend storing it in a dry and protective area during offseason periods.