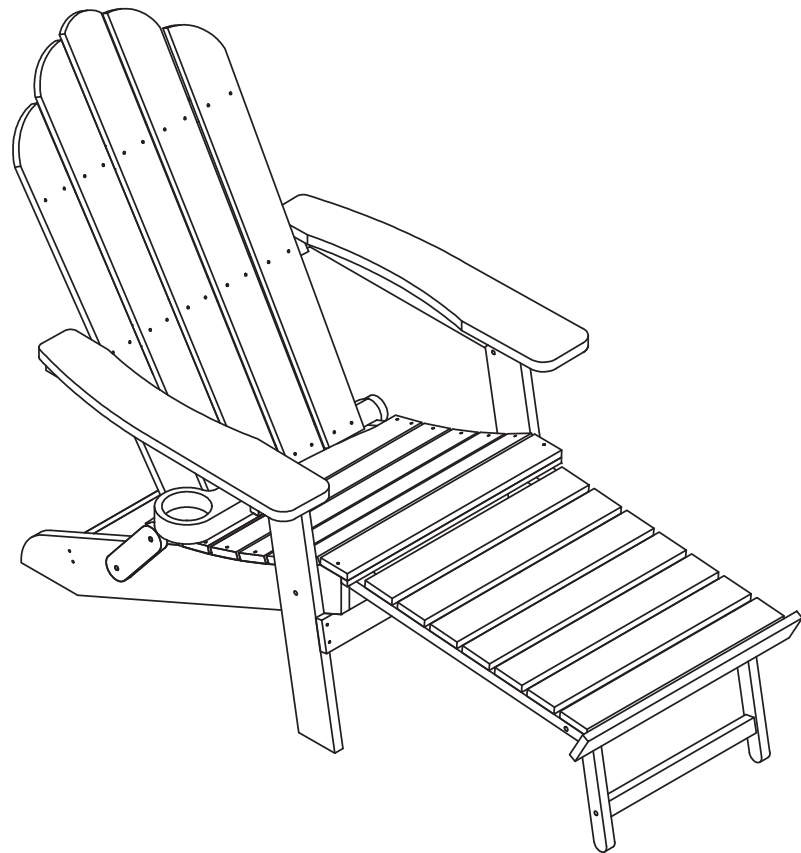


# TALE

## ADIRONDACK CHAIR WITH PULLOUT OTTOMAN

### Installation Manual

Model No.: AC02BN/AC02Y/AC02G



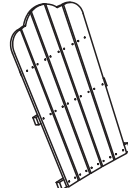

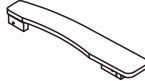
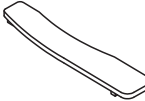

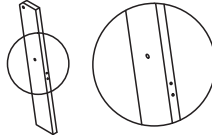
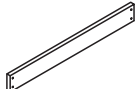

Toll Free 1-844-801-8880

## Adirondack Chair Installation Manual










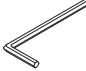

### THANKS FOR CHOOSING OUR PRODUCT!

For warranty or repair service: Call 1-844-801-8880 and choose the appropriate prompt, or e-mail [tale@homeeasy.net](mailto:tale@homeeasy.net). Please have your product's model number, your name, address, city, state, zip code and phone number ready.

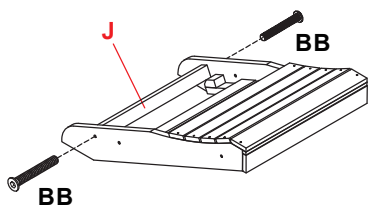
### PRODUCT COMPONENTS

PRODUCT COMPONENTS			
A		Backrest	1 pc
B		Seat	1 pc
C		Left Armrest	1 pc
D		Right Armrest with Cup Holder	1 pc
E		Smart Plank	2 pcs
F		Plank	2 pc
G		Plank	1 pcs
H		Plank	1 pcs

## PRODUCT COMPONENTS

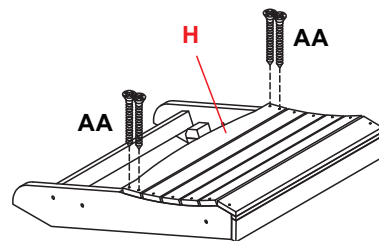
I		Cup holder	1 pcs
J		Plank	1 pcs
AA		4*40 Screw	8 pcs
BB		M6*50 Bolt	2 pcs
CC		M6*40 Bolt	2 pcs
DD		M6*50 Bolt	4 pcs
EE		M6*50 Bolt	2 pcs
FF		M6*80 Bolt	2 pcs
GG		M6*50 Bolt	1 pcs
a		For tightening bolts	1 pcs
b		For tightening nuts	1 pcs

## Operations

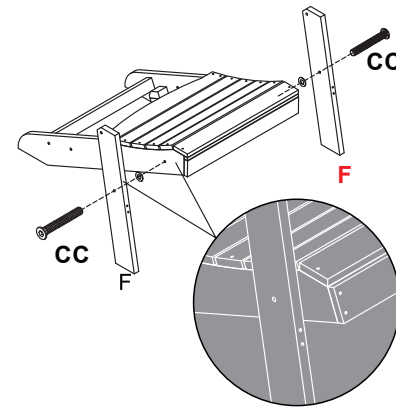


1. Thread bolt BB into part J as shown in the picture, and tighten it with screwdriver a.

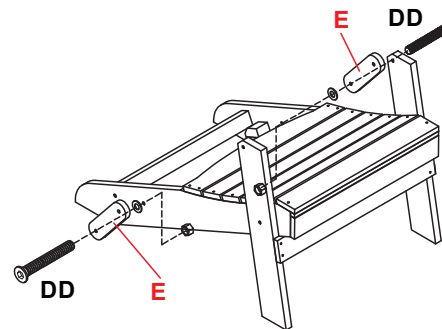
2



2. Lay part H flat as shown in the picture and screw bolt AA into part H with screwdriver a.

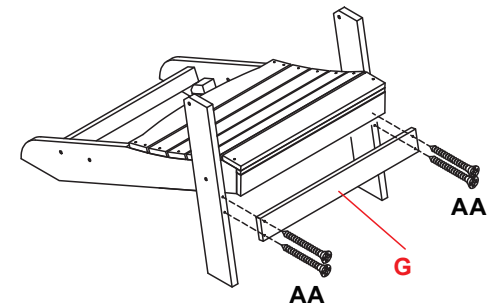


3. First insert the bolt CC into the part F as shown in the picture, then insert the washer from the end of the bolt, and finally screw it into the hole position shown in the picture for fixation.

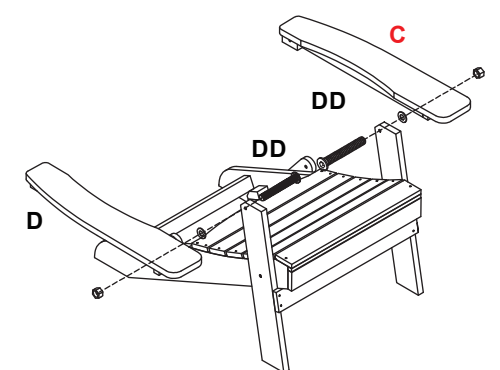


5. First, screw bolt DD into Part E as shown in the picture, then insert the washer from the end of bolt, and finally screw part E into the hole position as shown in the picture and fix it with nuts.

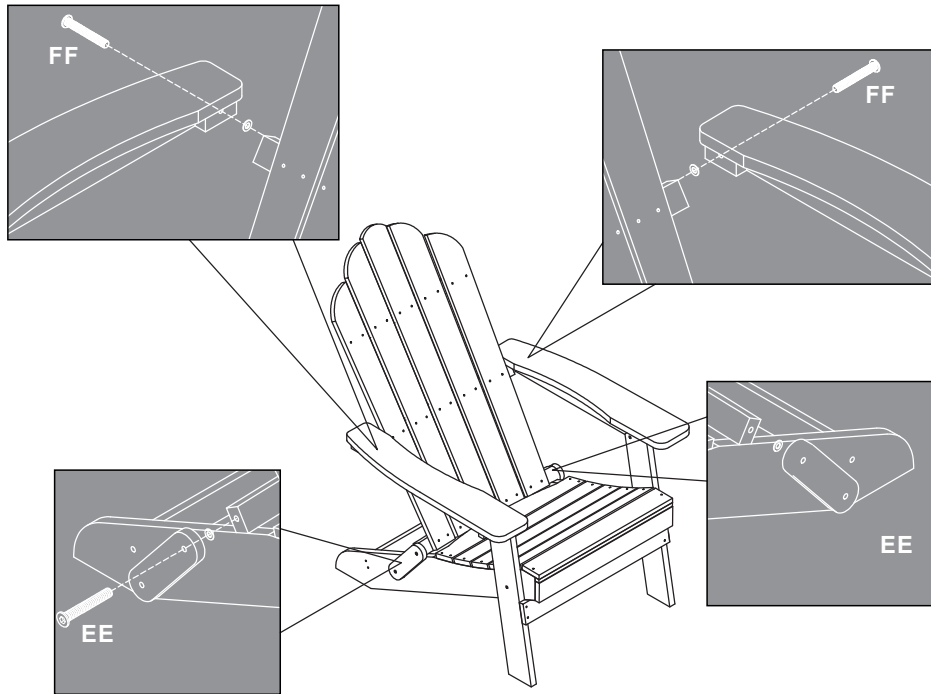
3



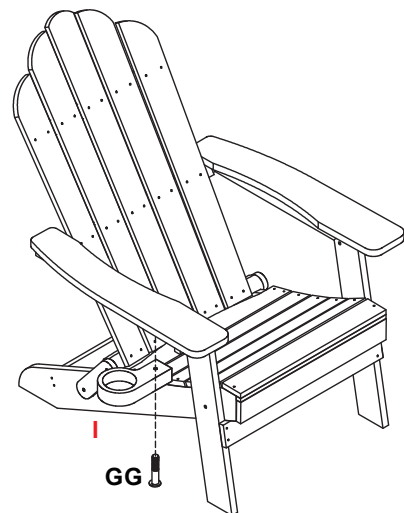
4. Screw the bolt AA into part g and fix it on part F as shown in the picture.



6. First, screw the bolt DD into the part F as shown in the picture, and then insert the washer from the end of the bolt. Then insert the bolt DD into the armrest D as shown in the picture and fix it at the end of the bolt with nuts.



7. Insert the bolt EE into the other hole of the part E, then insert the washer into the end of the bolt, and finally insert the bolt into the hole at the lower end of the backrest and fix it.



8. Lay the cup holder I flat, insert the bolt GG into the hole of the cup holder from bottom to top, and finally insert it into the hole on the back of the armrest and fix it.