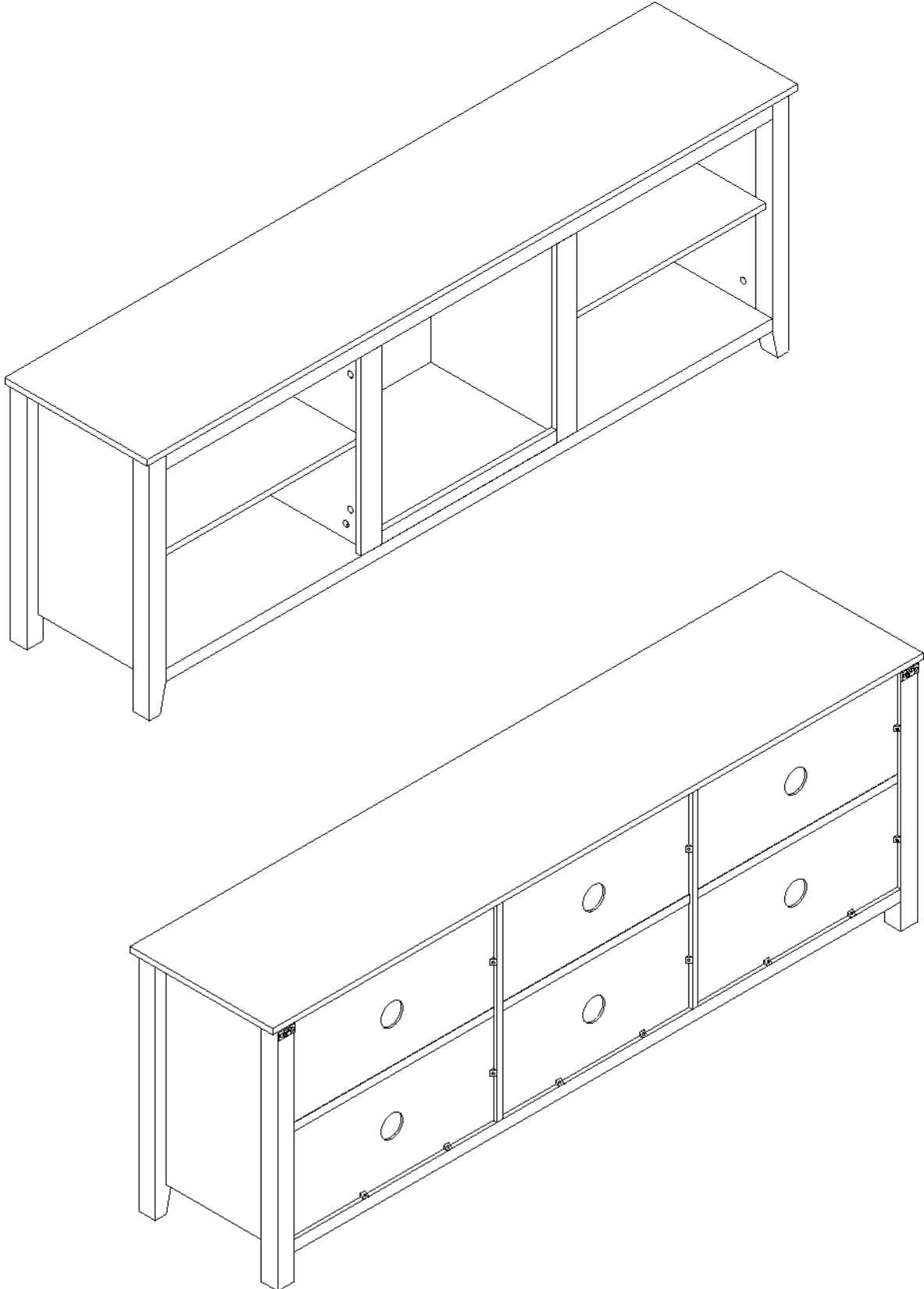


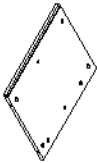

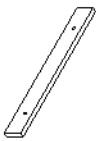



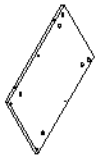

User Manual







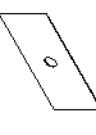

ASSEMBLY INSTRUCTION

TV40173

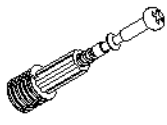
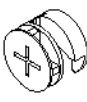
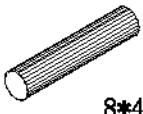
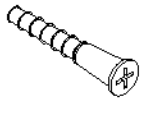
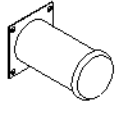
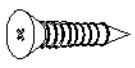
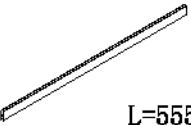
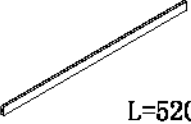
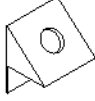

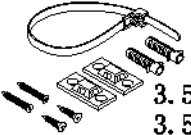





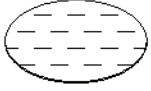
Parts List

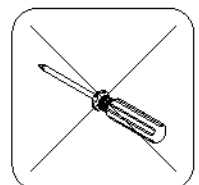
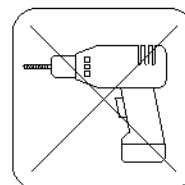
NO.	Drawing	Dimension	QTY
1		515*365*15mm	1
2		515*365*15mm	1
3		472*55*15mm	1
4		472*55*15mm	1
5		480*31*15mm	1
6		1660*380*30mm	1
7		545*290*15mm	1
8		545*290*15mm	1

NO.	Drawing	Dimension	QTY
9		615*45*45mm	1
10		615*45*45mm	1
11		615*45*45mm	1
12		615*45*45mm	1
13		1660*43*15mm	1
14		565*262*4mm	4
15		530*262*4mm	2
16		1780*390*15mm	1

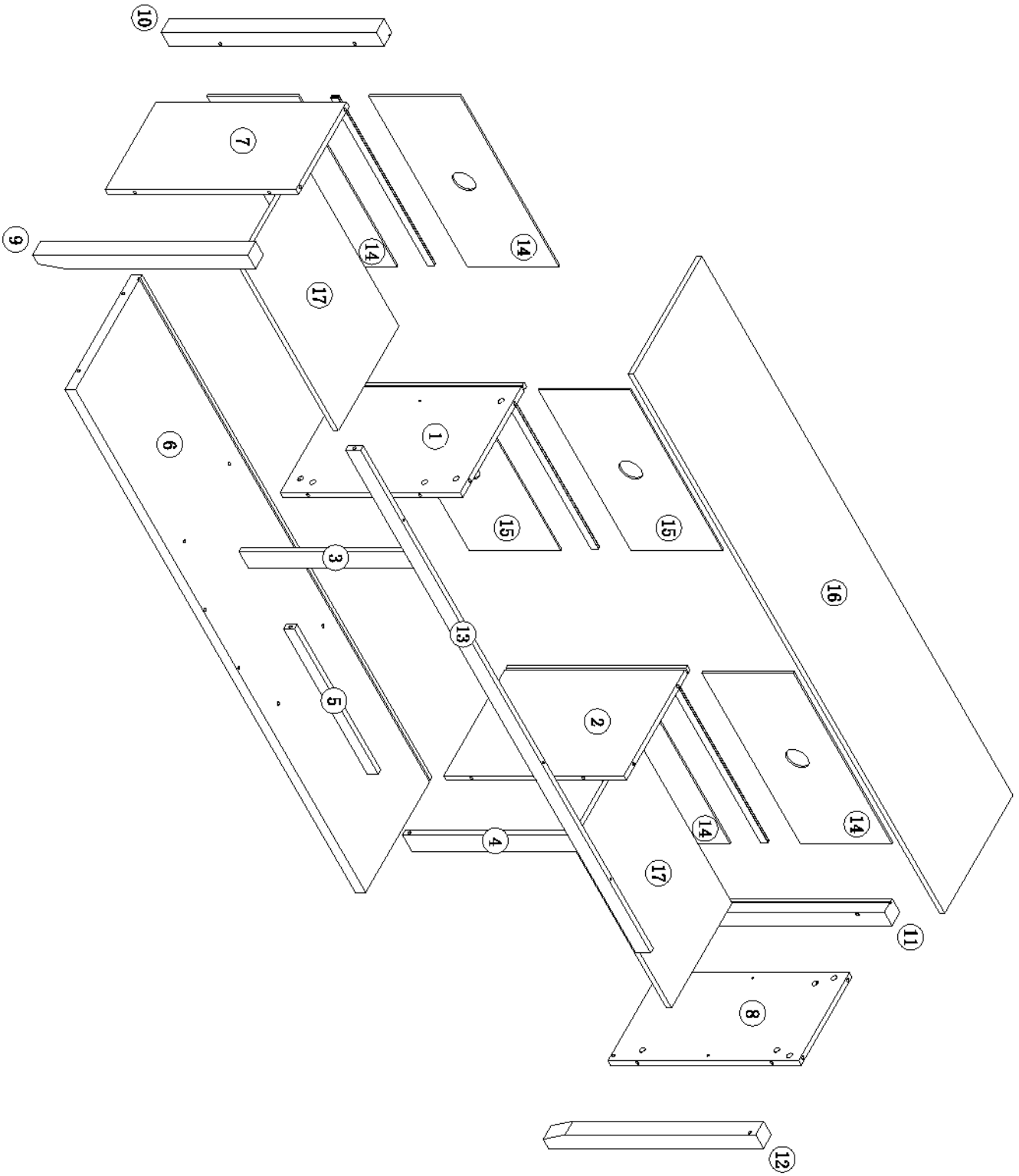
Hardware Fitting

NO.	Drawing	QTY
A		30
B		30
C	 8*40	2
D		2
E		2
F	 3.5*14	8
G	 L=555mm	2
H	 L=520mm	1
I		24
J	 3.0*14mm	24
K	 3.5*35mm 3.5*14mm	2

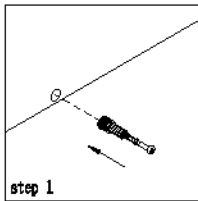
NO.	Drawing	QTY
L	 3.5*35mm	4
M	 5*14mm	8
	 4mm	1
		32



Split Graph

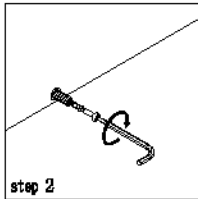


Cam Coupling Using Methods



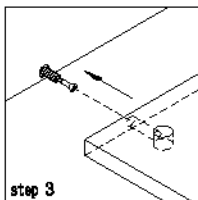
Step1.

Connect the cam coupling A as directed in the assembly instructions using hand.



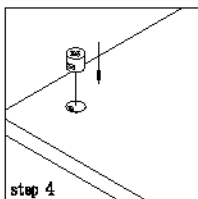
Step2.

Screw the cam coupling A as directed in the assembly instructions.



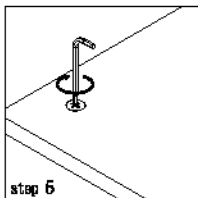
Step3.

Push the cam coupling A into the entry hole.



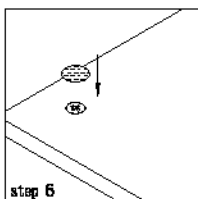
Step4.

Insert the cam coupling B as shown in the instructions.



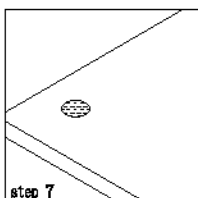
Step5.

Turn the cam coupling B clockwise with a screwdriver.



Step6.

Put on Beautycam.



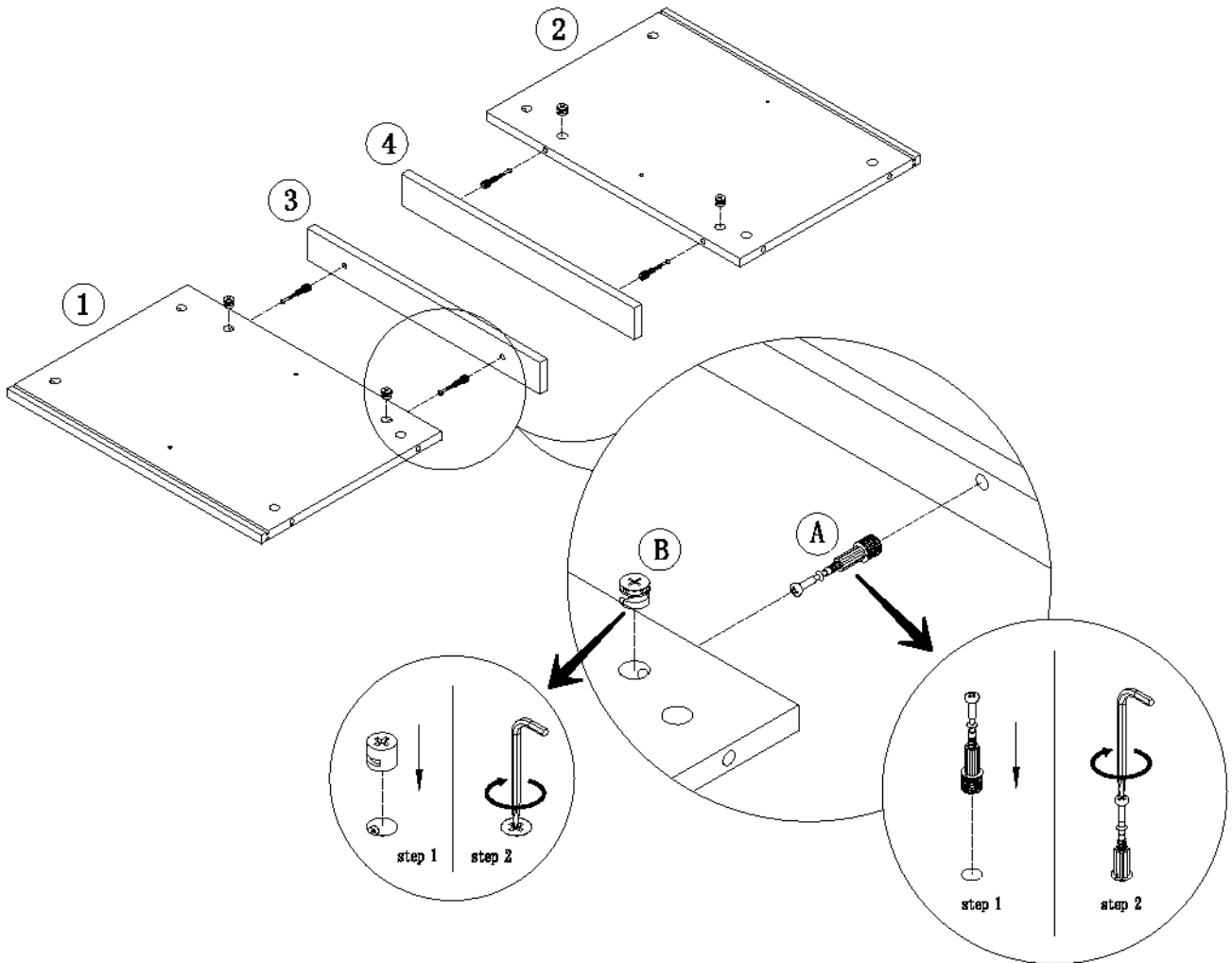
Step7.

Finished.

You should feel a click when the camlock is locked in place.

The joint is now secure.

Note: Cam Coupling Using Methods, please refer to Page No.5

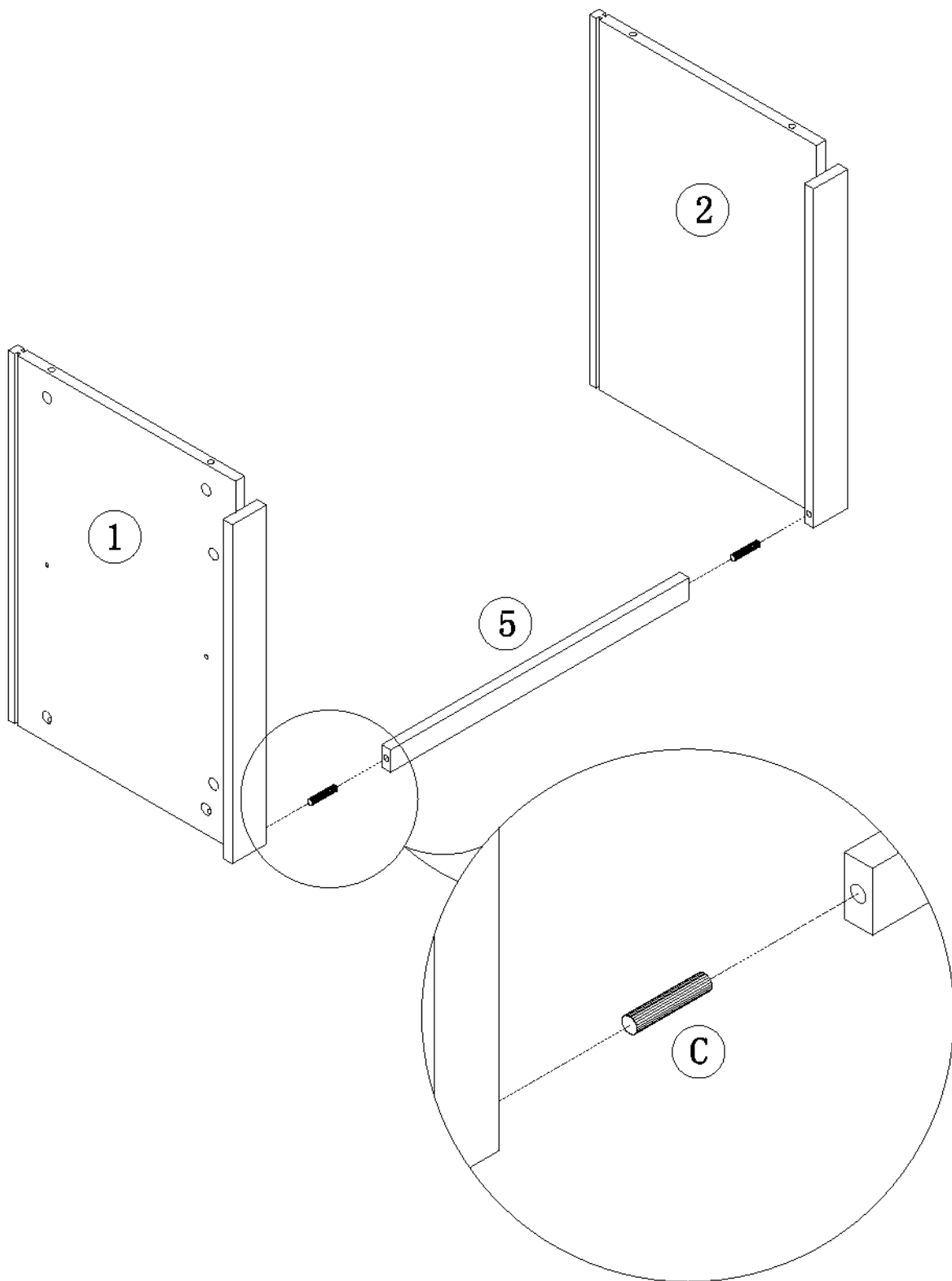



1		*1
2		*1
3		*1
4		*1

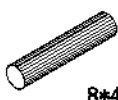
A		*4
B		*4

Step 1.

**Connect Panel 3 to Panel 1,
and Connect Panel 4 to Panel 2 with Cam Coupling A&B.**

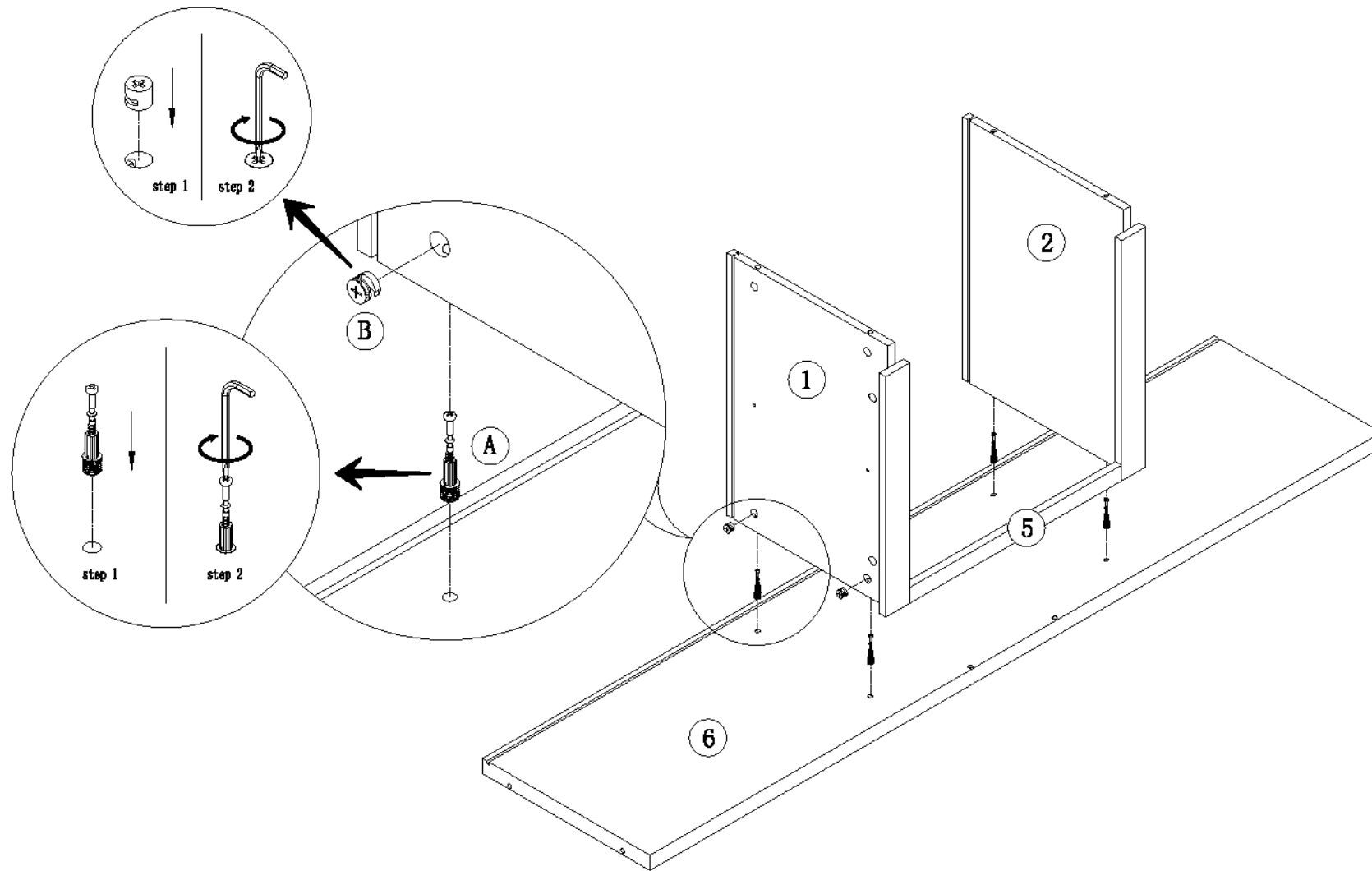


5		*1
---	---	----

C	 8*40	*2
---	--	----

Step 2.

Connect Panel 5 to Panel 3, 4 with C.

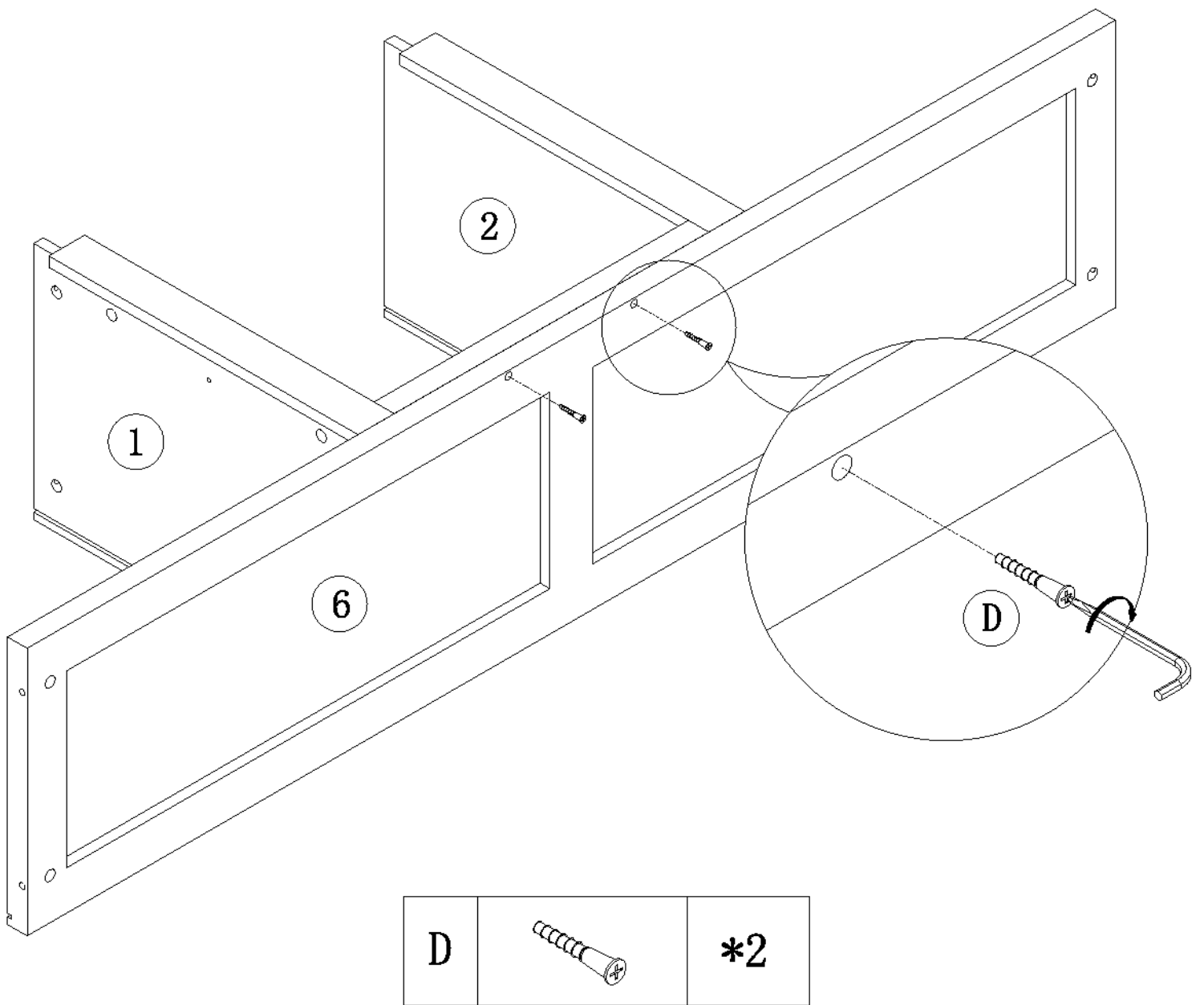


6		*1
---	--	----

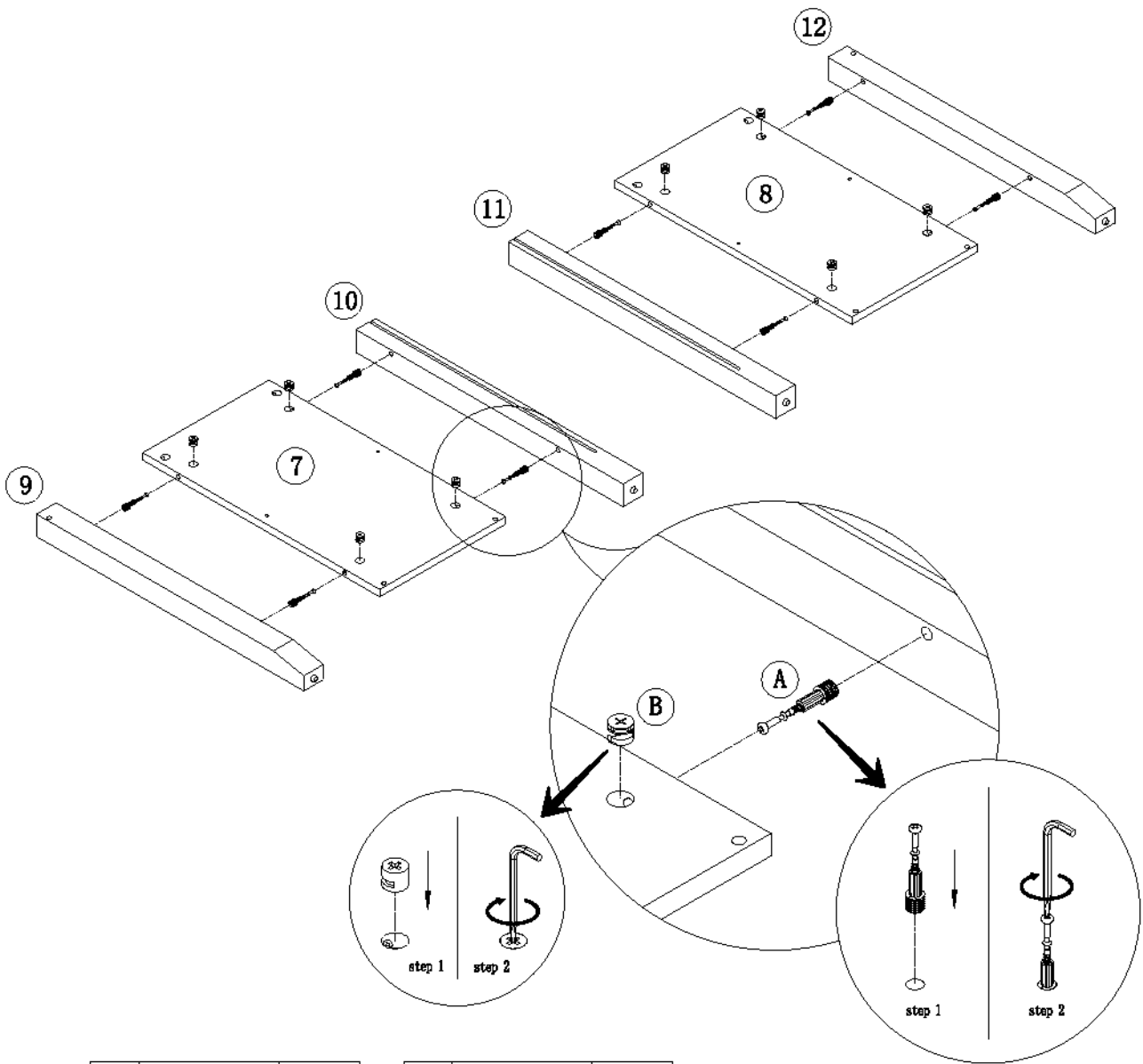
A		*4
B		*4

Step 3.

Connect Panel 1, 2 to Panel 6 with Cam Coupling A&B.



Step 4.
Connect Panel 5 to Panel 6 with Screw D.

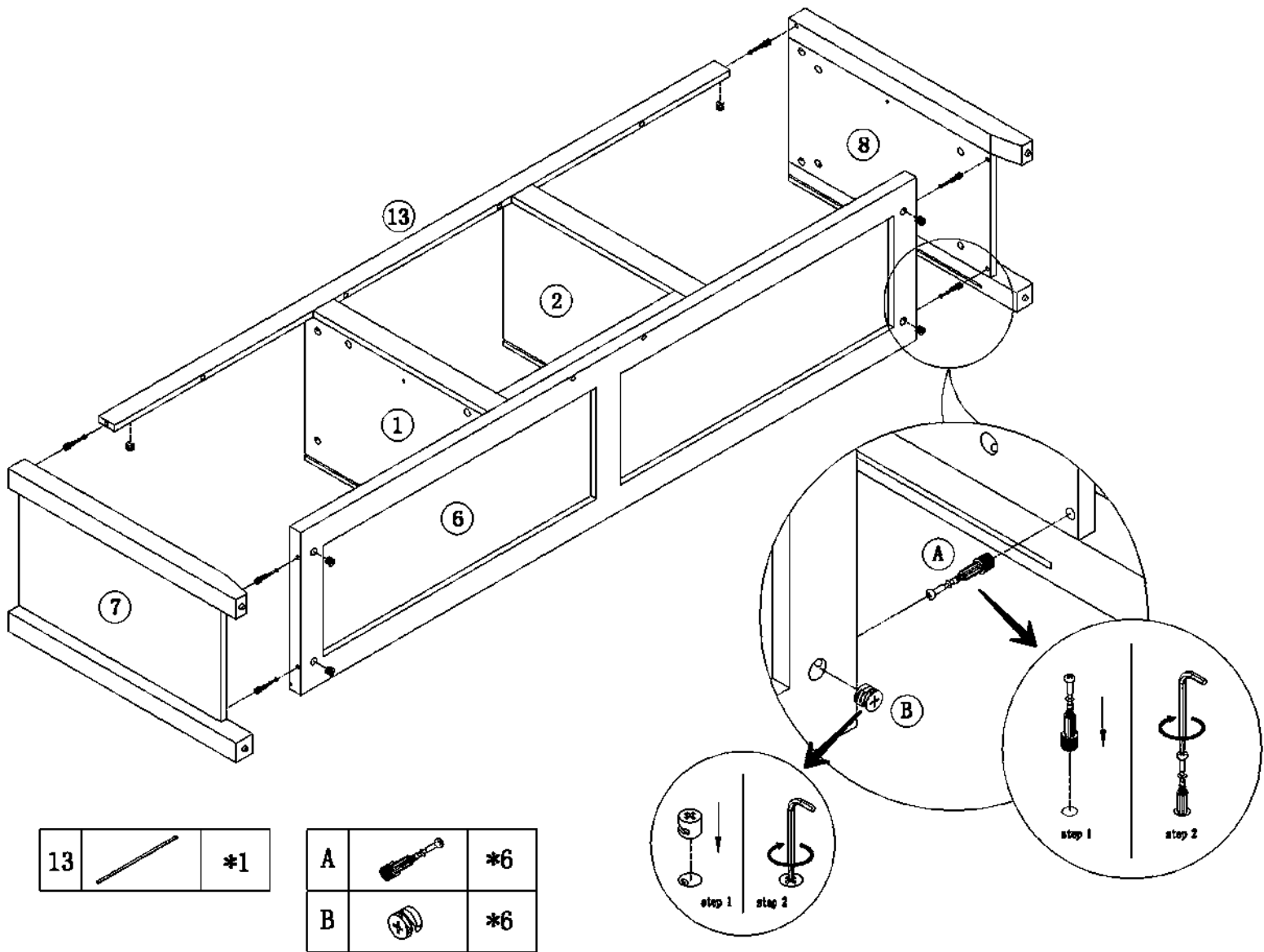


7		*1
8		*1
9		*1
10		*1
11		*1
12		*1

A		*8
B		*8

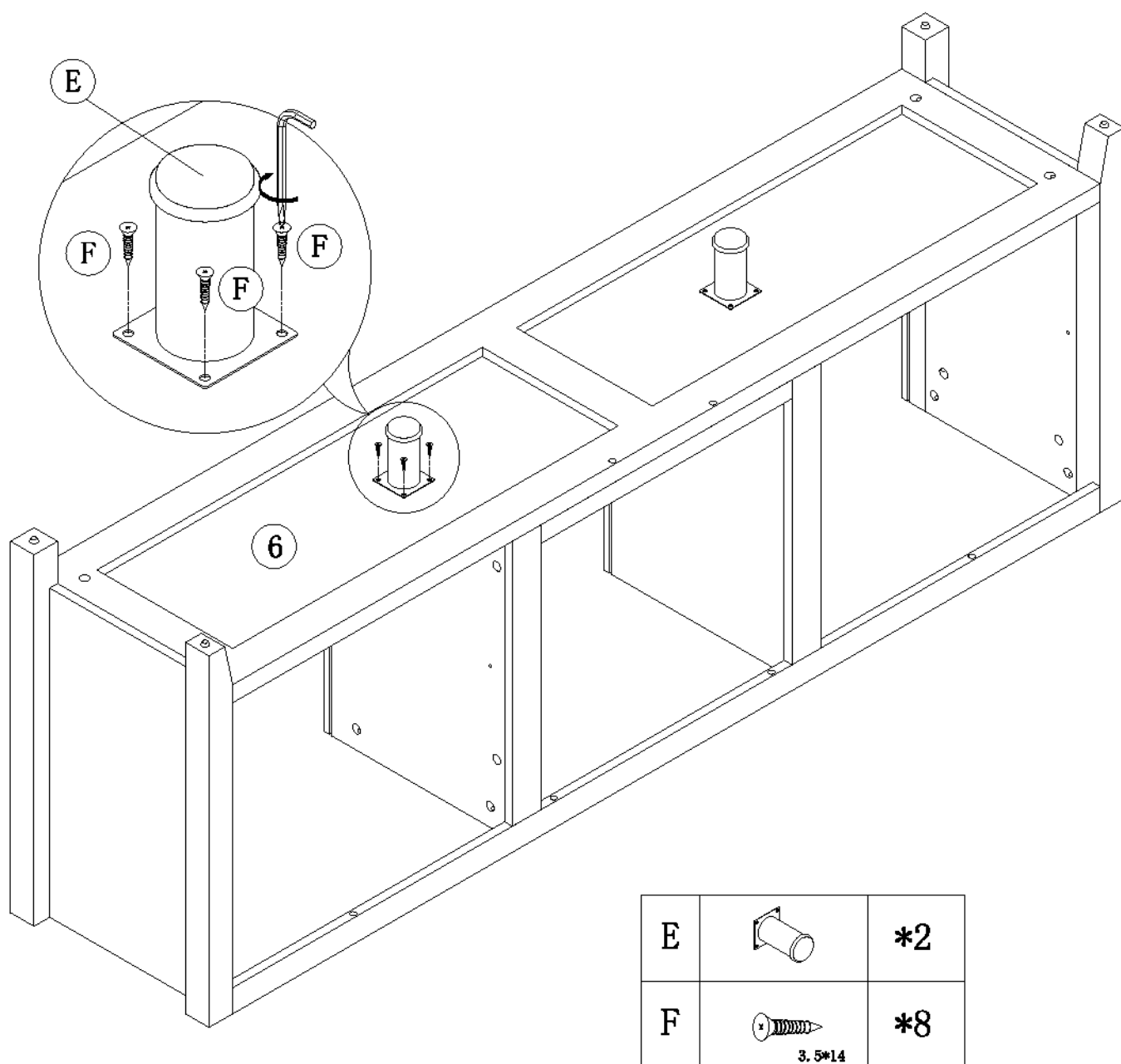
Step 5.

**Connect Panel 9,10 to Panel 7 with Cam Coupling A&B;
Connect Panel 11, 12 to Panel 8 with Cam Coupling A&B.**

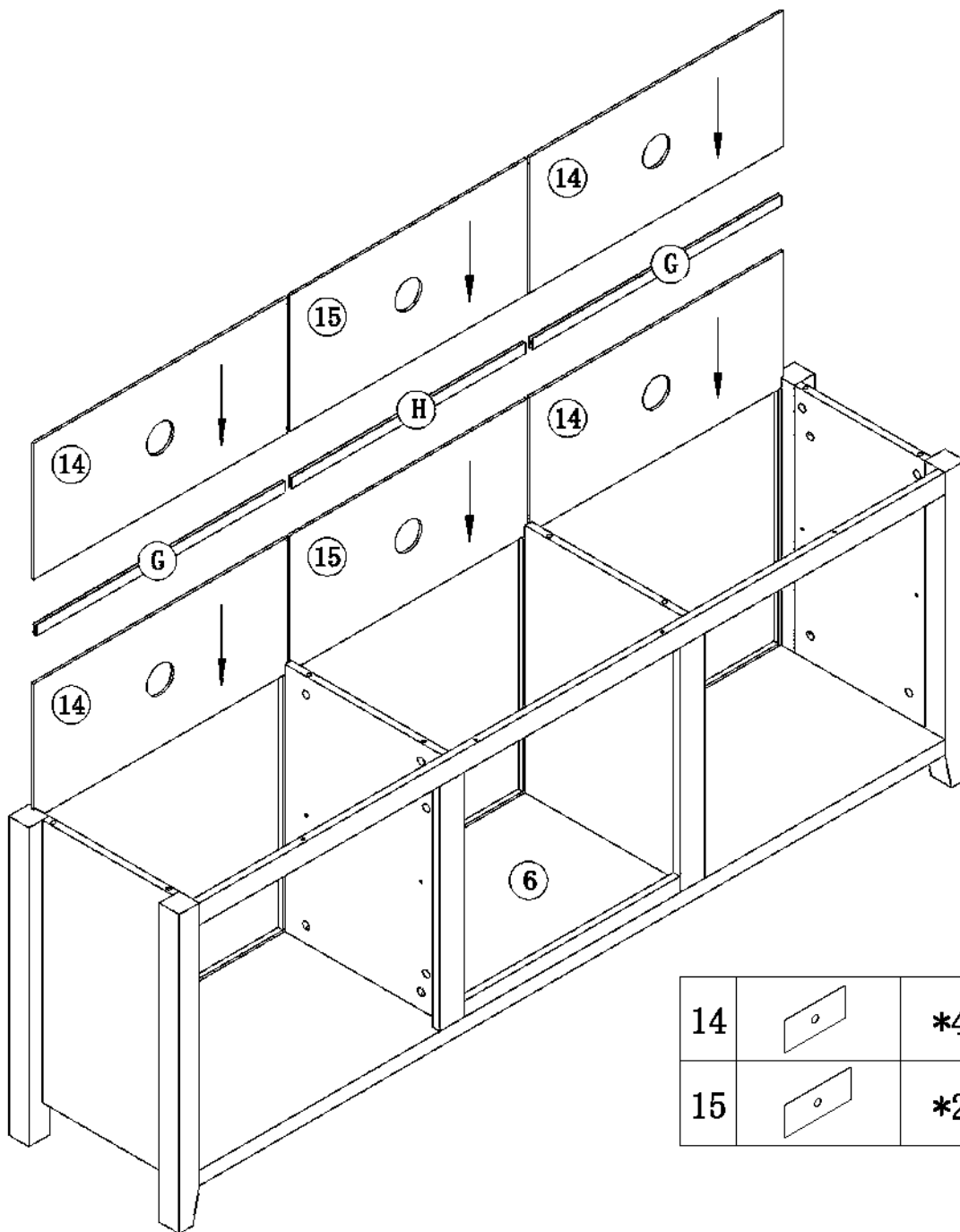


Step 6.

**Connect Panel 1, 2 to Panel 13 with Cam Coupling A&B;
 Connect Panel 7 to Panel 6, 13 with Cam Coupling A&B;
 Connect Panel 8 to Panel 6, 13 with Cam Coupling A&B;**



Step 7.
Fix E on Panel 6 with Screw F.



14		*4
15		*2

G		*2
H		*1

Step 8.

Firstly insert Panel 14 into Panel 7, 1;

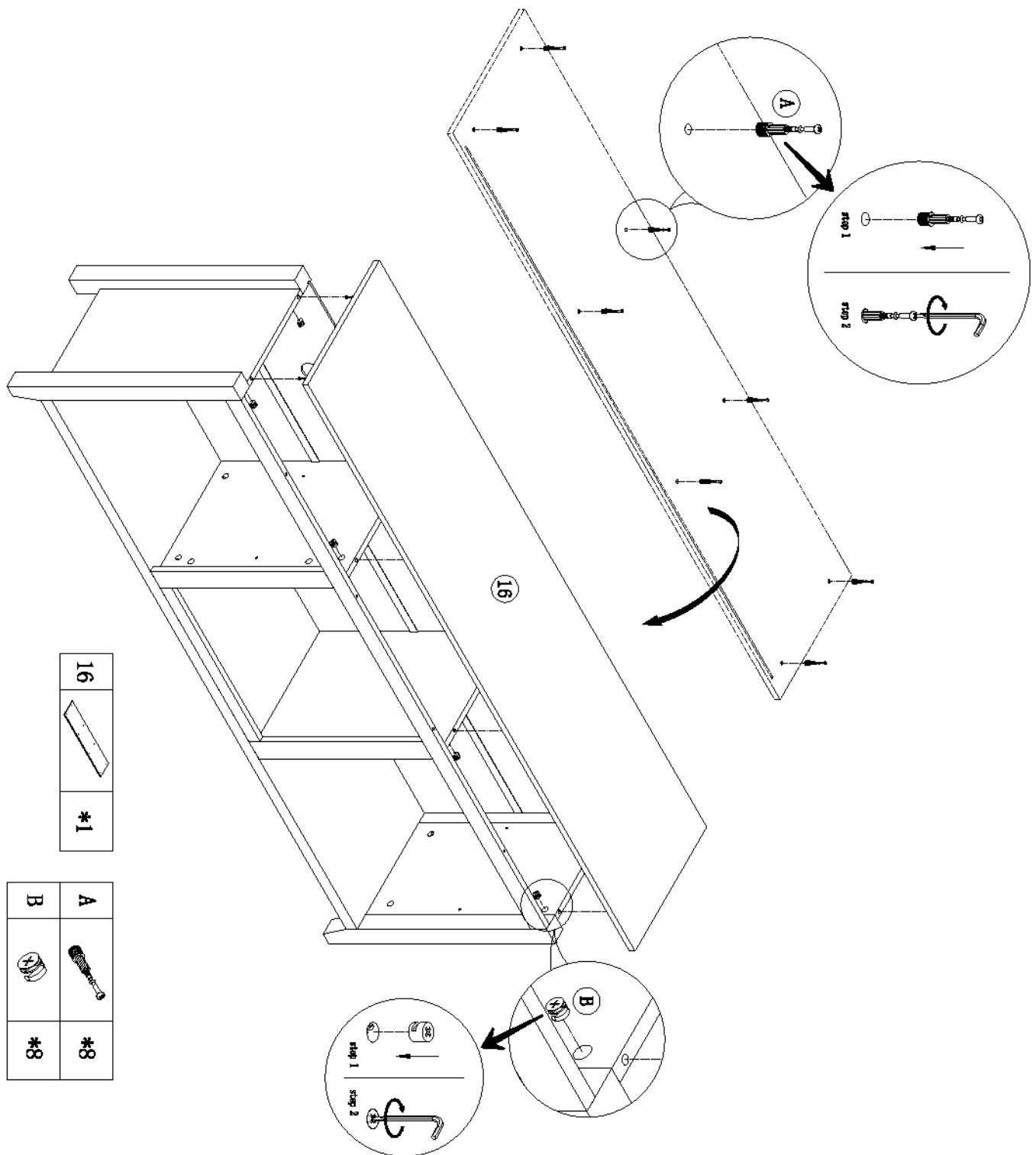
Insert Panel 15 into Panel 1, 2; Insert Panel 14 Into Panel 2,8.

Secondly insert G into Panel 7, 1;

Insert H into Panel 1, 2; Insert G Into Panel 2,8.

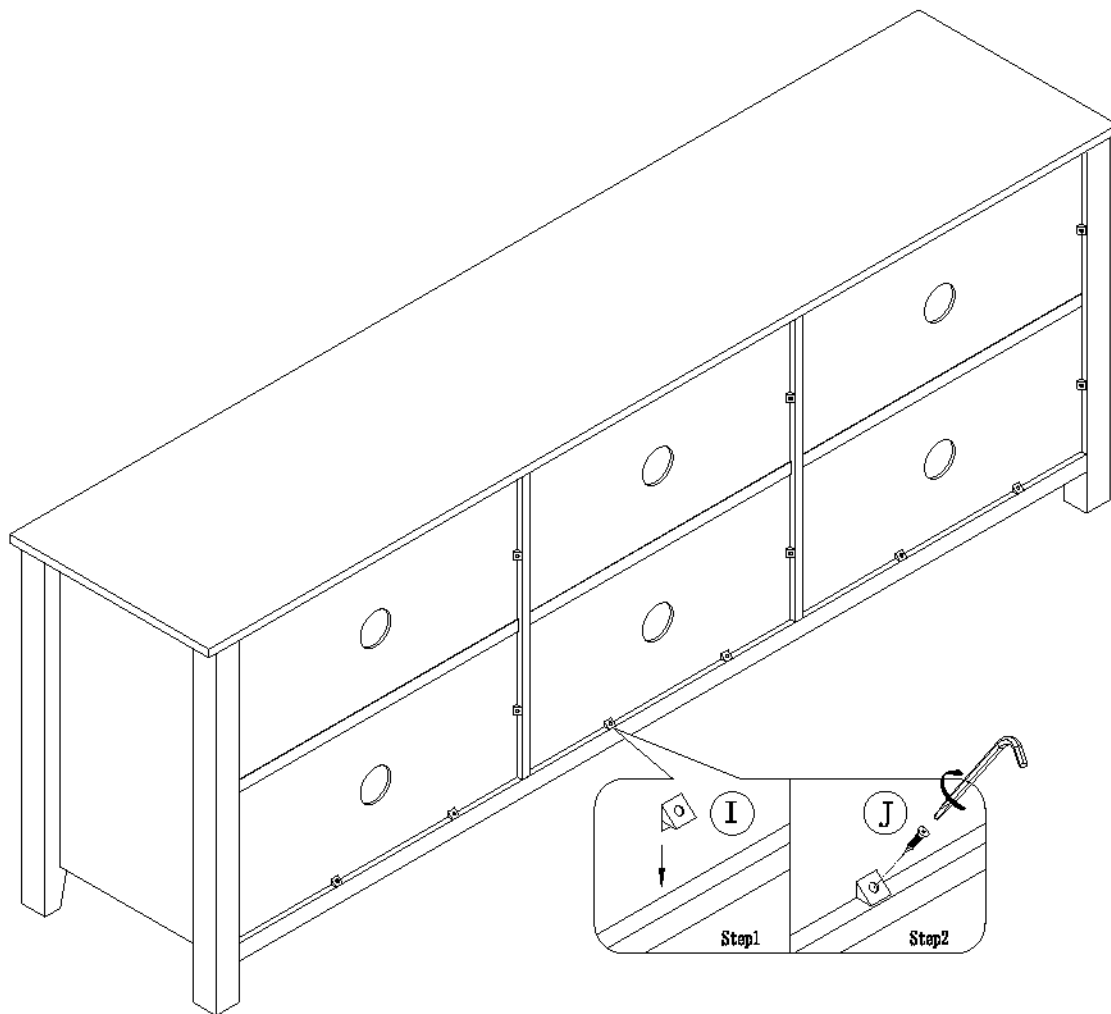
Then do again: Insert Panel 14 into Panel 7, 1;



Insert Panel 15 into Panel 1, 2; Insert Panel 14 Into Panel 2,8.



Step 9.

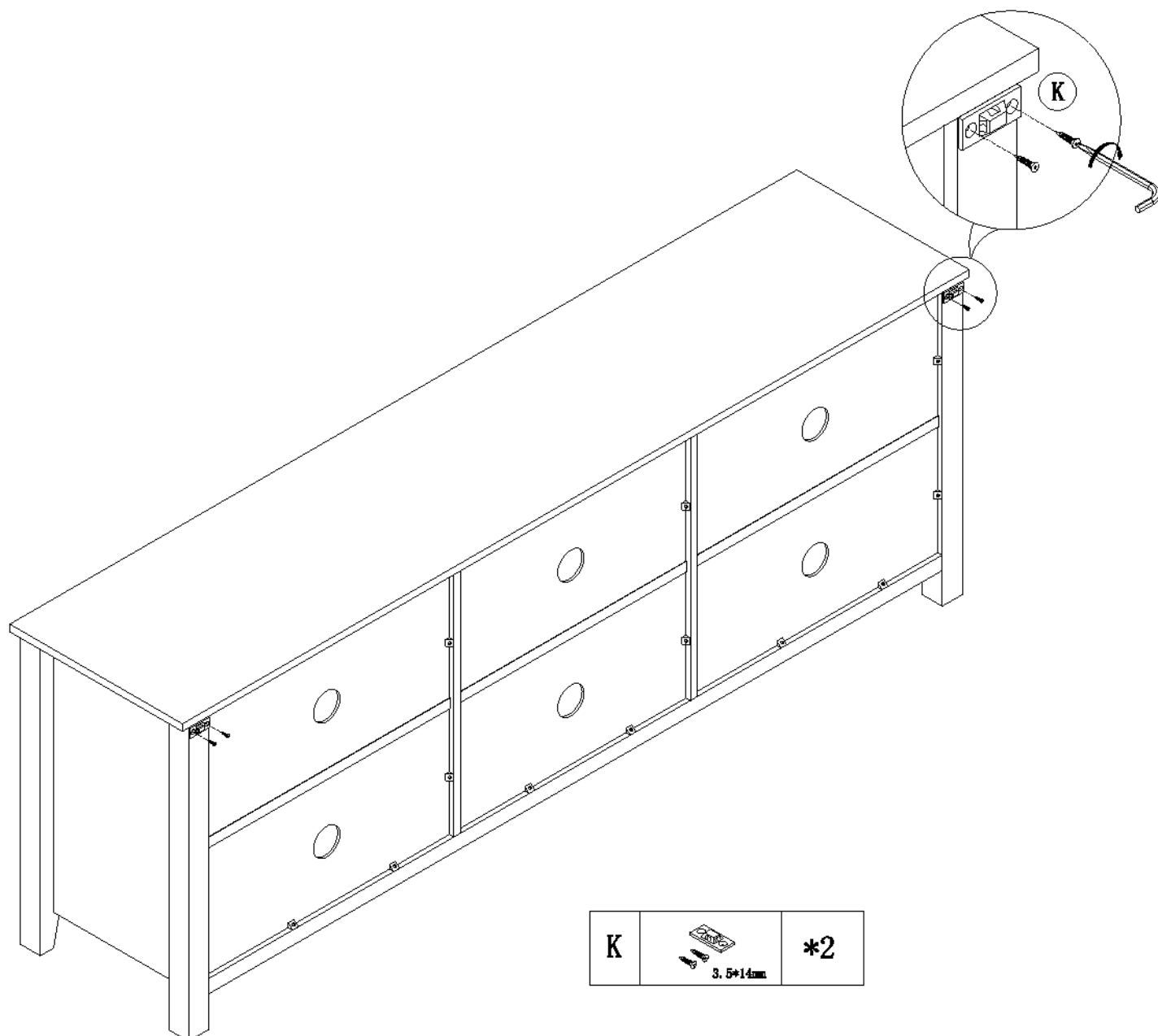
Fix Panel 16 to the TV stand body with Cam Coupling A&B;



I		*24
J	 3.0*14mm	*24

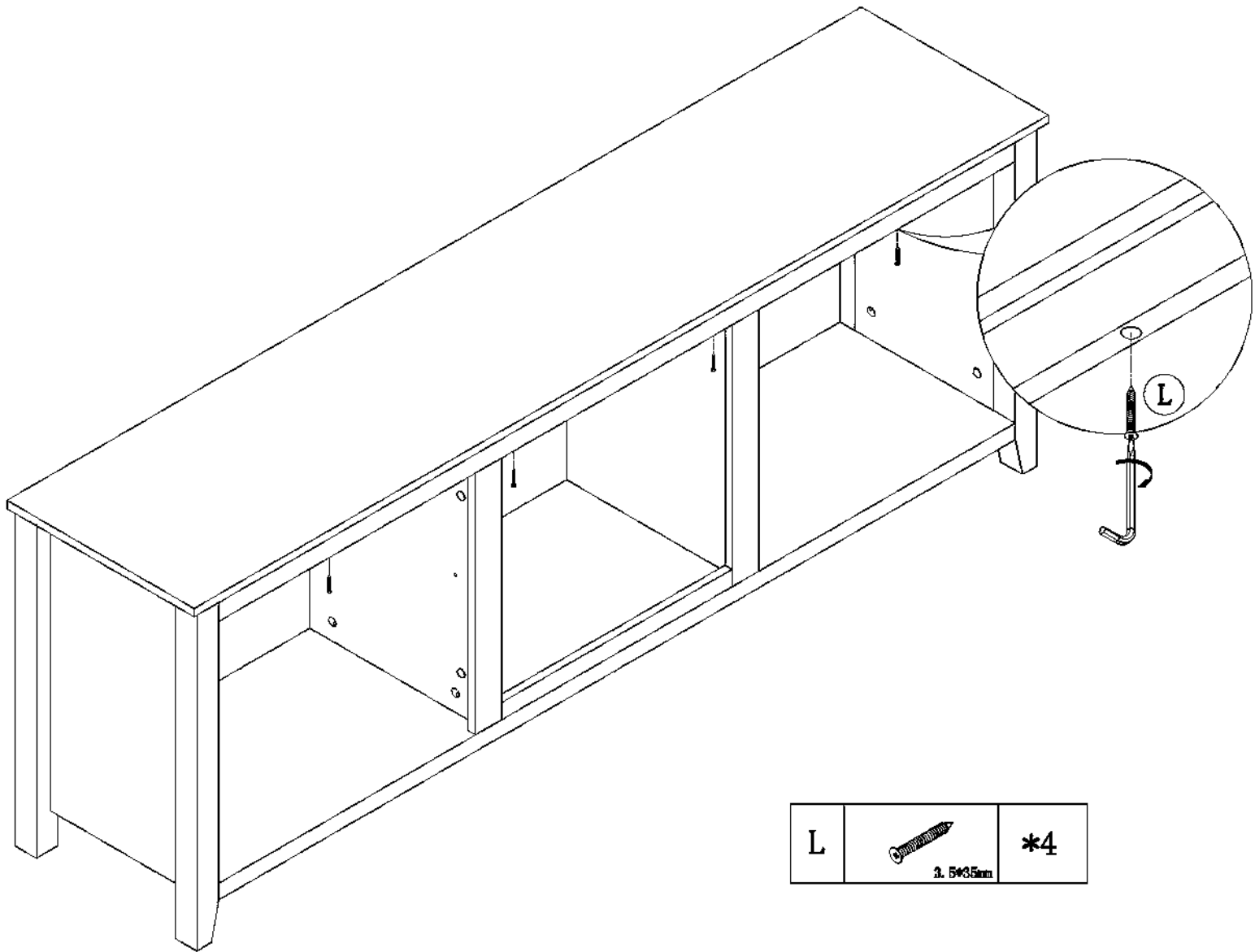
Step 10.

Strengthen the TV body with I by screw J.



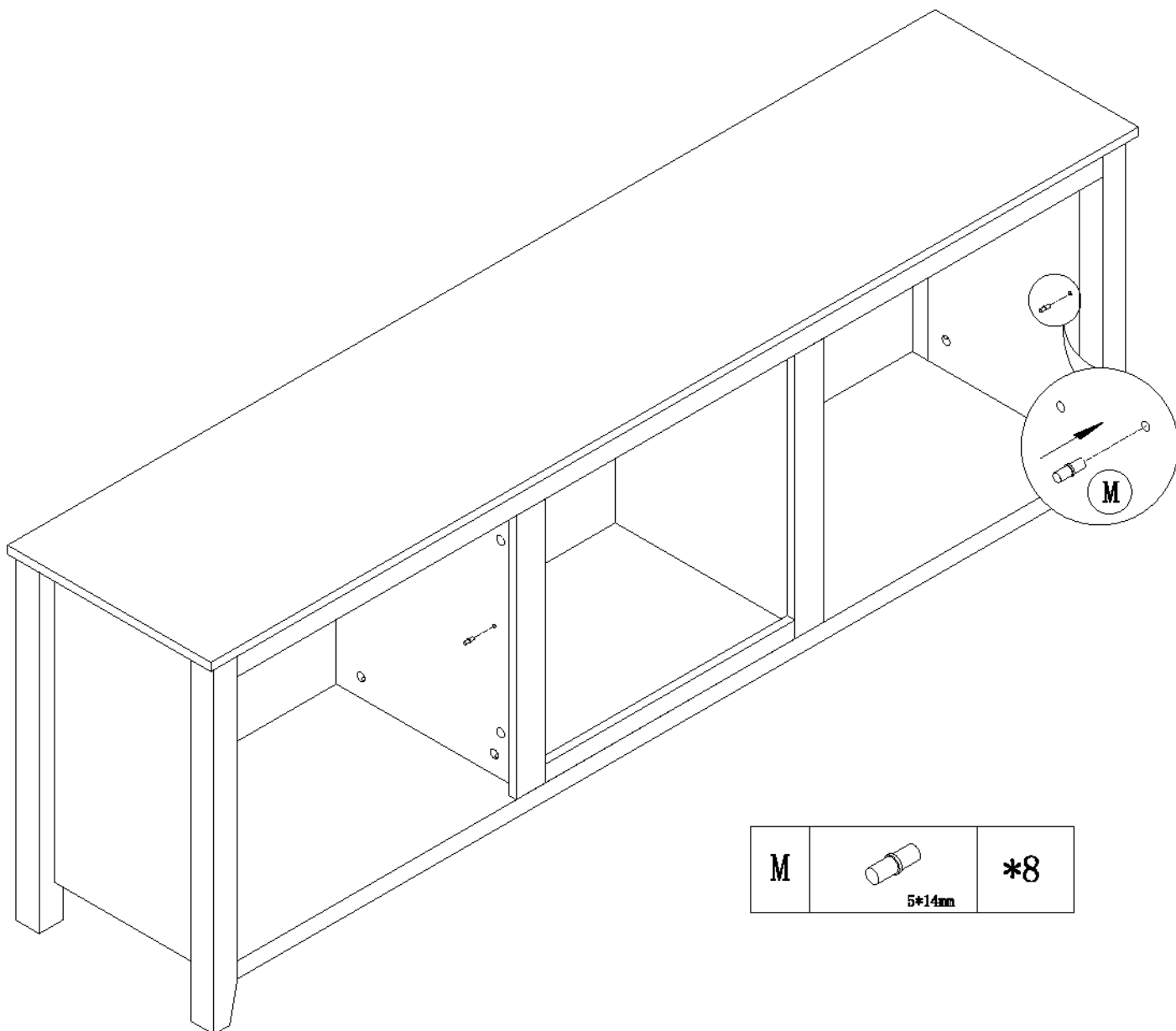
Step 11.

Fix K on panel 10, 11 by screw.



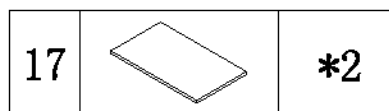
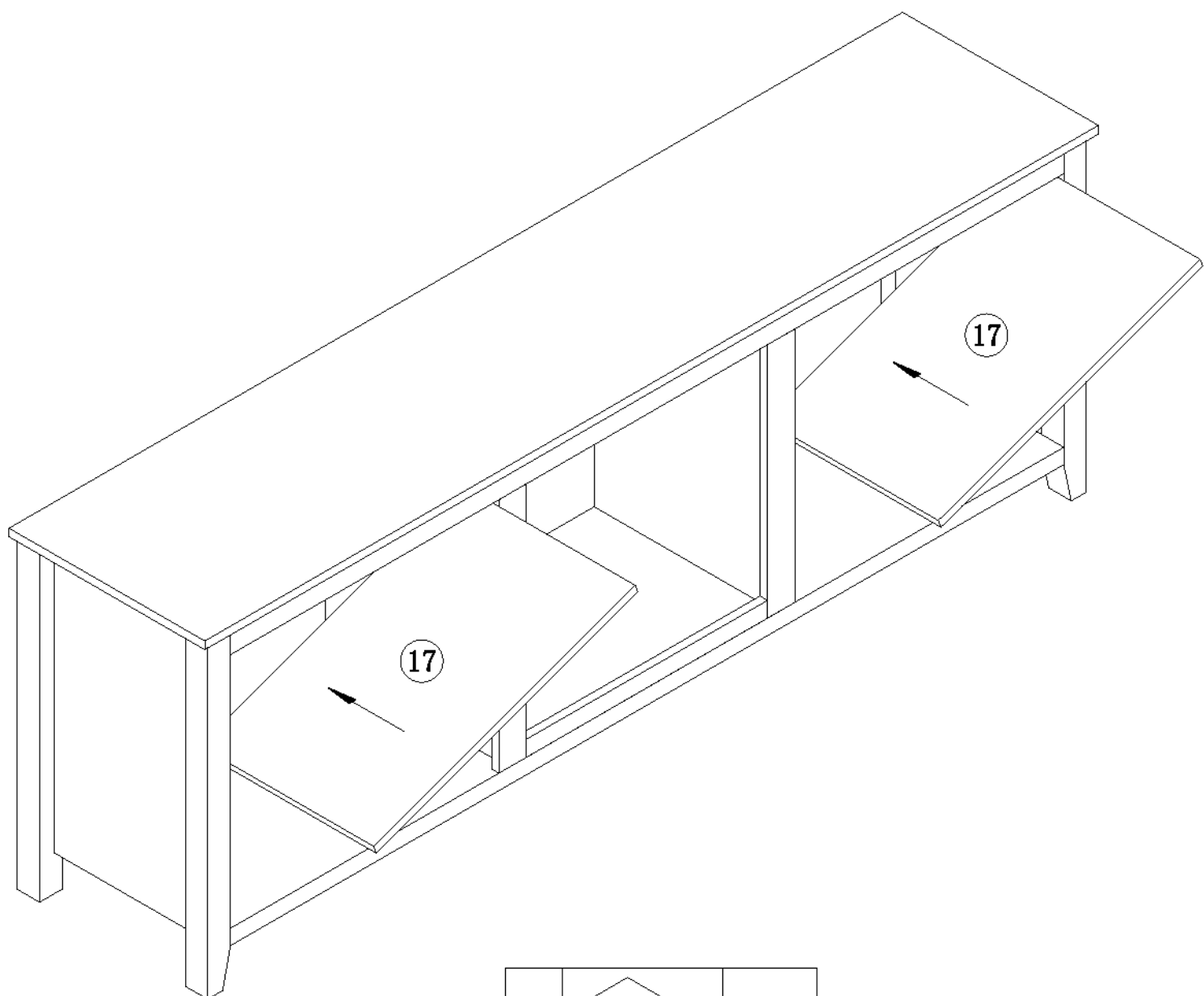
Step 12.

Fix Panel 13 to Panel 16 by screw L.



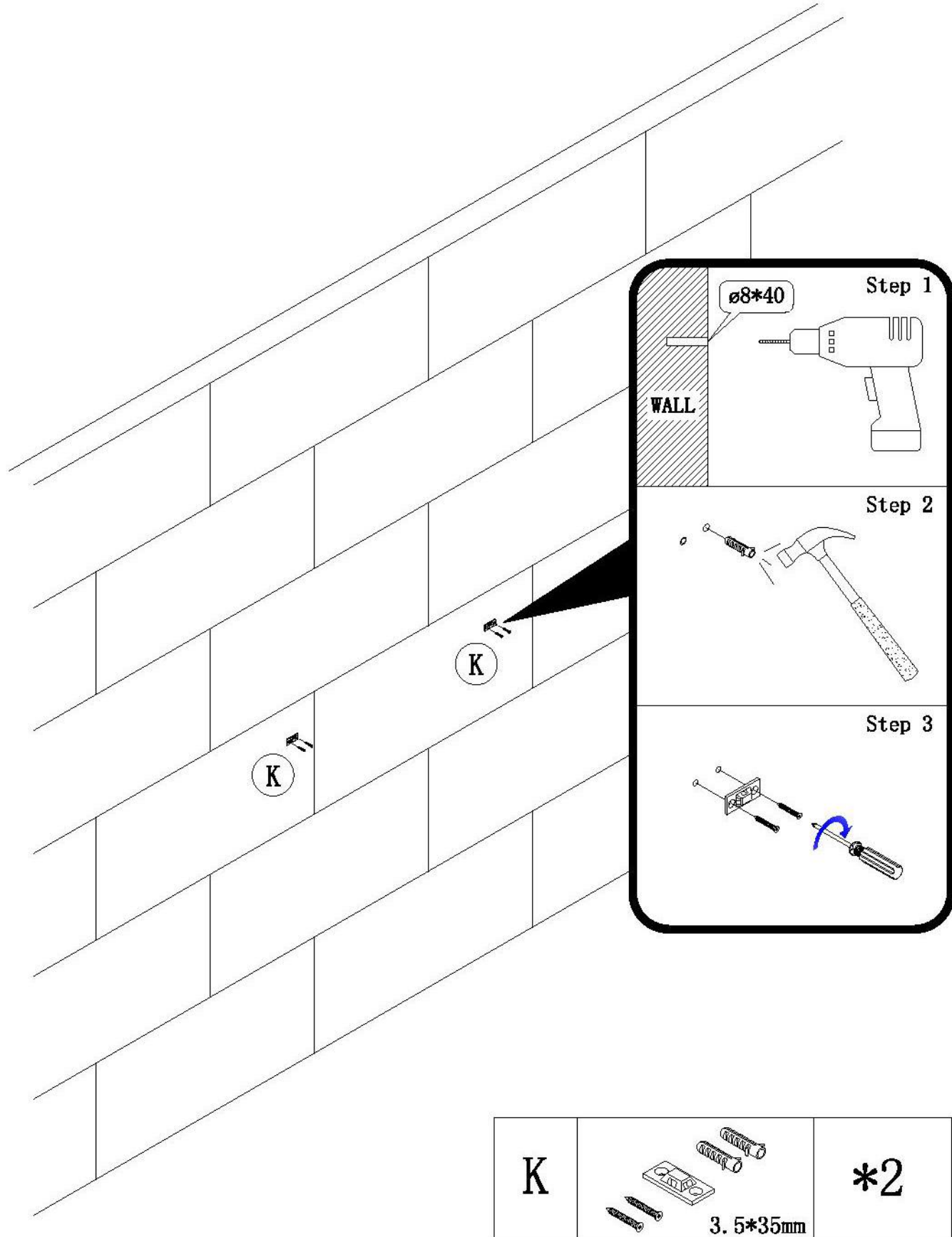
Step 13.

Insert the hardware fitting M into Panel 7, 1, 2, 8.



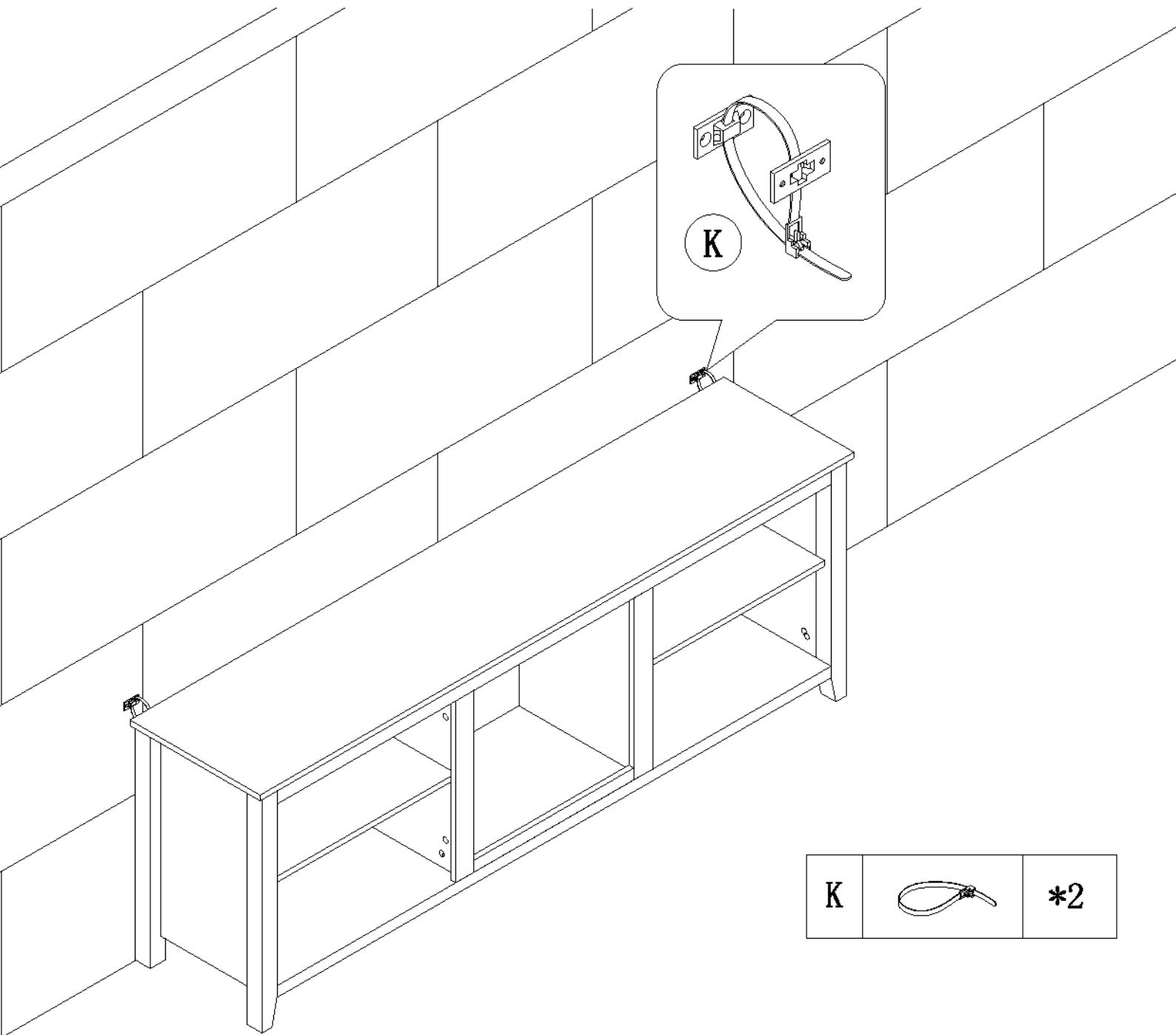
Step 14.

Put on two pieces of Panel 17 on hardware fitting M.



Step 15.

Drill holes ($\Phi 8*40$) on the wall at proper positions with electric drill, fix K on the wall with hammer and screwdriver.



Step 16.

Using plastic ribbon K part to tie the cabinet on the wall.

It will prevent the cabinet from falling.